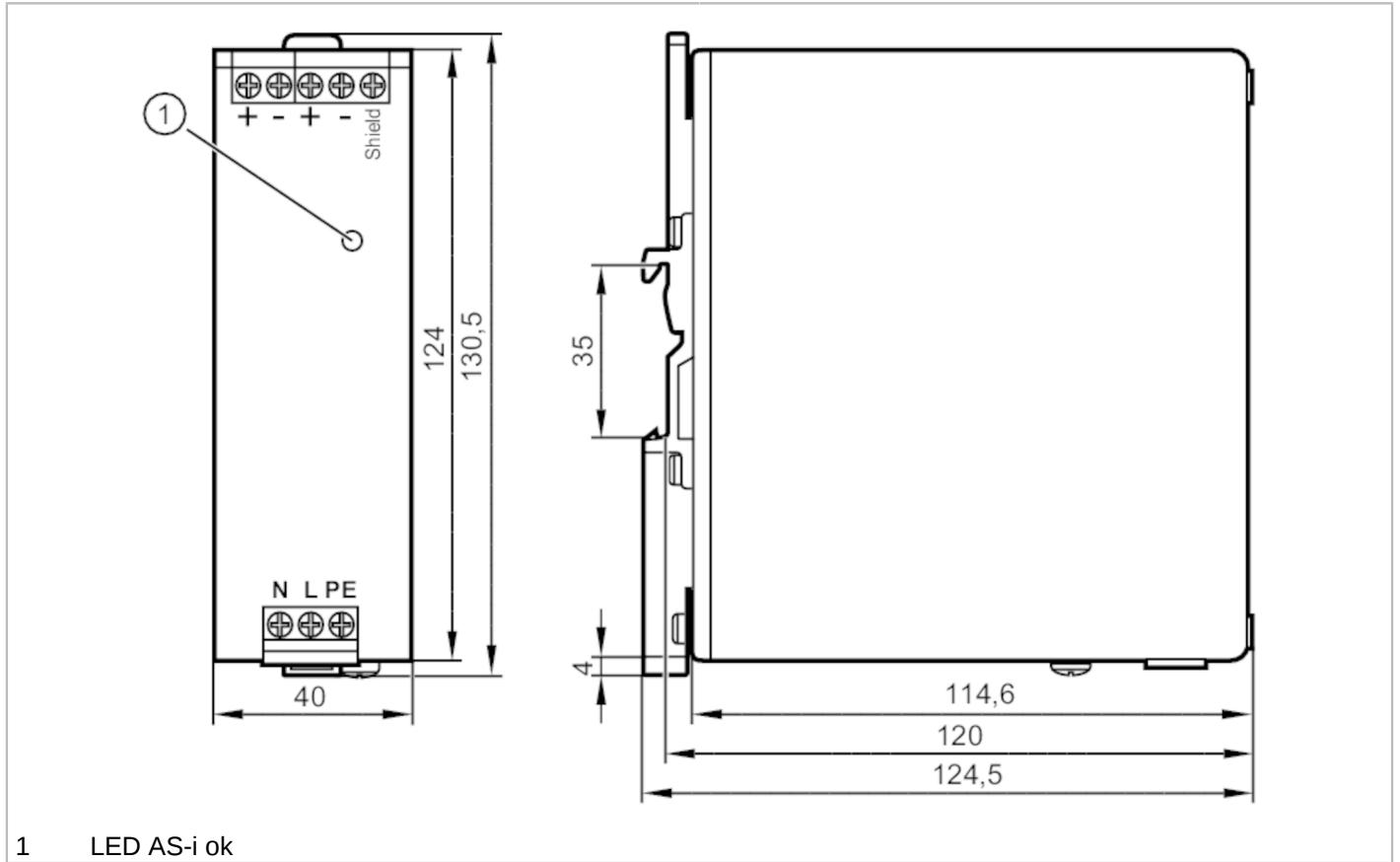


AC1256



AS-Interface power supply

PSU-1AC/ASi-2,8A



Electrical data

Frequency AC	[Hz]	47...64
Operating voltage tolerance	[%]	10
Operating voltage	[V]	automatic range selection
Nominal voltage AC	[V]	110 / 230
Input voltage range AC	[V]	100...120 / 200...240
Protection class		I
Oversvoltage protection		yes; (< 36 V)
Max. power-on delay time	[ms]	900
Output voltage AS-i	[V]	30.5; (to PELV; NEC Class II)
Output power (permanent)	[W]	85
Power factor (nominal voltage 120 V AC / 60 Hz)		0.56
Power factor (nominal voltage 230 V AC / 50 Hz)		0.47
Number of output circuits		1
Output current AS-i	[A]	2.8
Max. residual ripple	[mV]	50
Switch-on peak current (nominal voltage 120 V AC / 60 Hz)	[A]	3

AC1256



AS-Interface power supply

PSU-1AC/ASi-2,8A

Switch-on peak current (nominal voltage 230 V AC / 50 Hz)	[A]	3
Inrush current limitation		yes
Efficiency (nominal voltage 120 V AC / 60 Hz)	[%]	86.9
Efficiency (nominal voltage 230 V AC / 50 Hz)	[%]	88
External input protection		≤ B-10 A / ≤ C-6 A
Derating	[W/K]	0 (60...70 °C)
Mains buffering time (nominal voltage 120 V AC / 60 Hz)	[ms]	98
Mains buffering time (nominal voltage 230 V AC / 50 Hz)	[ms]	96
Input current (nominal voltage 120 V AC / 60 Hz)	[A]	1.44
Input current (nominal voltage 230 V AC / 50 Hz)	[A]	0.86
Power loss (nominal voltage 120 V AC / 60 Hz)	[W]	12.9
Power loss (nominal voltage 230 V AC / 50 Hz)	[W]	11.6
Integrated data decoupling		yes
Back feeding protection	[V]	35

Outputs

Short-circuit proof		yes
Overload protection		yes
Overload performance		output current constant
Parallel connection of outputs possible		no
Series connection of outputs possible		no

Operating conditions

Ambient temperature	[°C]	-25...70
Note on ambient temperature		observe the free space for convection (see operating instructions)
Storage temperature	[°C]	-40...85
Max. relative air humidity	[%]	95; (IEC 60068-2-30)
Protection		IP 20
Degree of soiling		2; (IEC 62103: conductive soiling not permitted)

Tests / approvals

EMC	EN 61000-6-1	
	EN 61000-6-2	
	EN 61000-6-4	
Vibration resistance	IEC 60068-2-6	± 1,6 mm 2...17,8 Hz / 2 g 17,8...500 Hz
Shock resistance	IEC 60068-2-27	30 g 6 ms / 20 g 11 ms

AS-i classification

AS-i certificate		98701
------------------	--	-------

AC1256



AS-Interface power supply

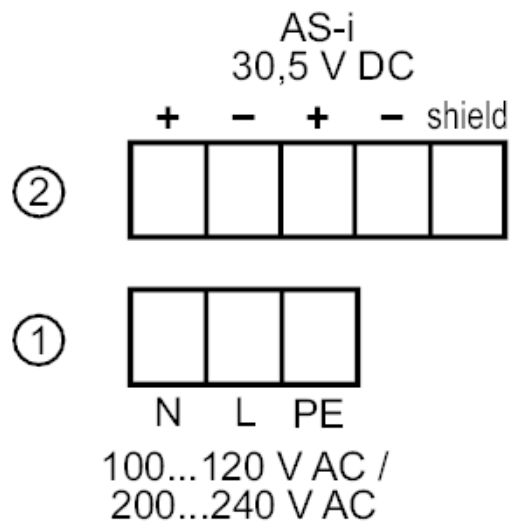
PSU-1AC/ASi-2,8A

Mechanical data		
Weight	[g]	625
Type of mounting		rail; (TH35 (EN 60715))
Dimensions	[mm]	124 x 40 x 120
Materials		steel sheet
Displays / operating elements		
Display	AS-i voltage	LED, green
Remarks		
Pack quantity		1 pcs.

Electrical connection

screw terminals:

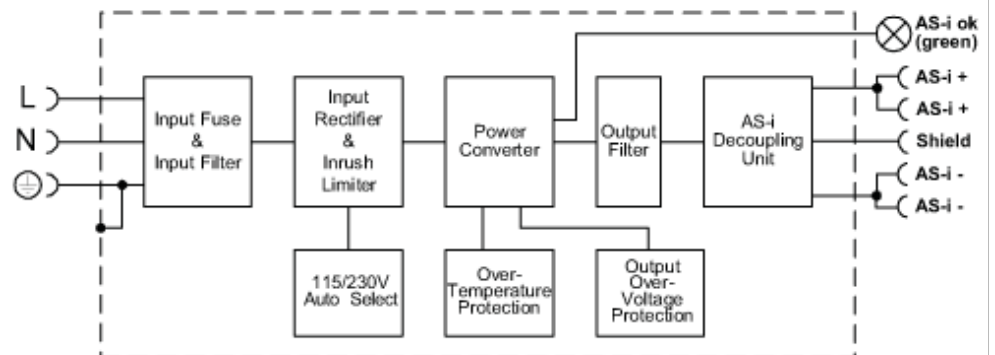
Connection



- 1: primary
- 2: secondary

Diagrams and graphs

block diagram



AC1256

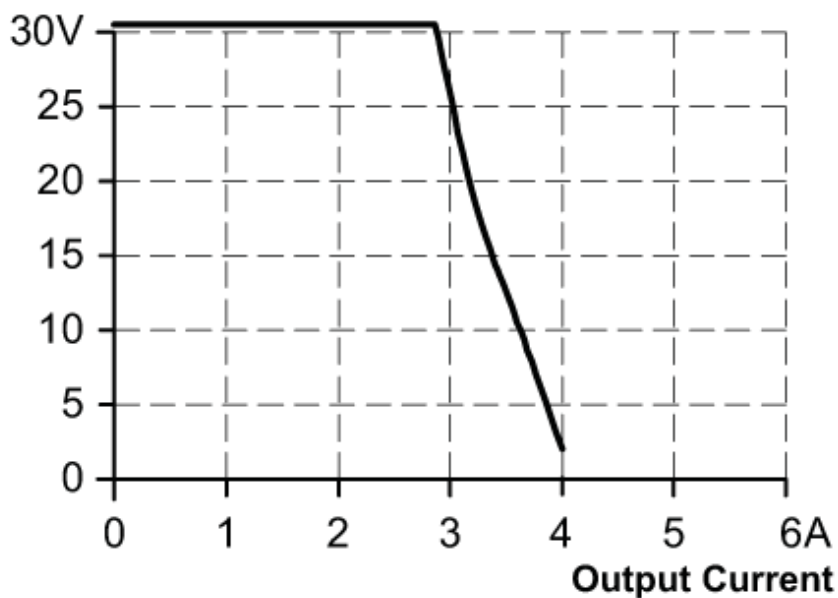


AS-Interface power supply

PSU-1AC/ASi-2,8A

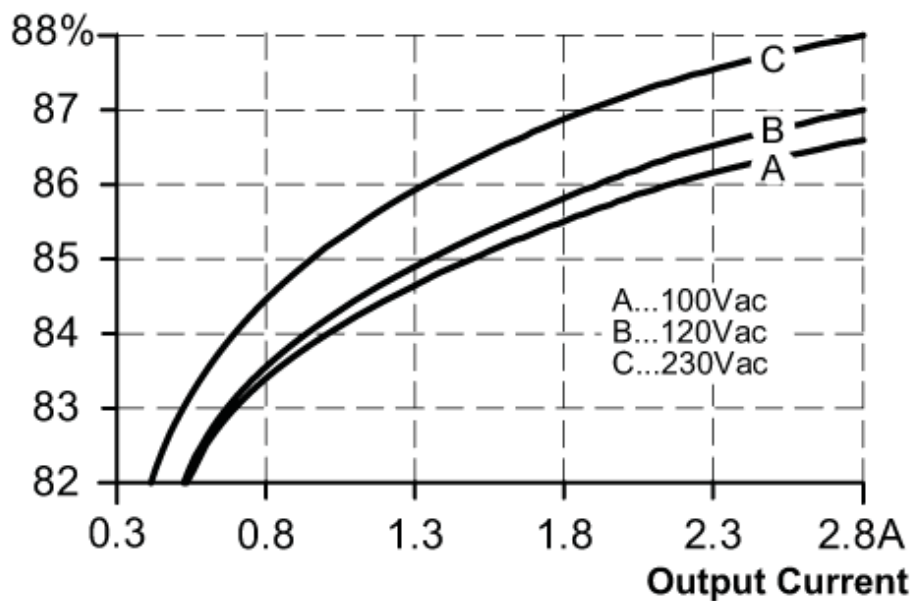
output characteristics

Output Voltage



characteristic curve for degree of efficiency / power loss

Efficiency



AC1256

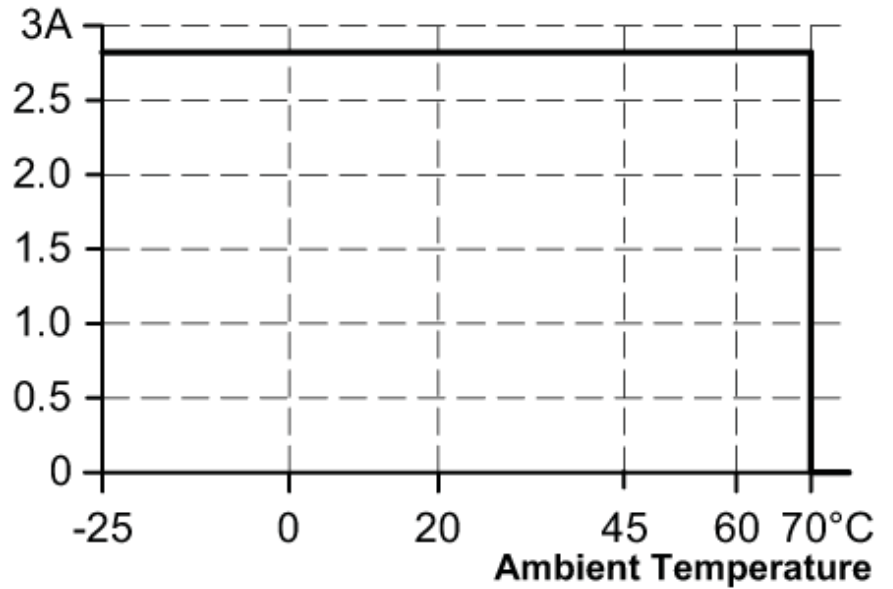


AS-Interface power supply

PSU-1AC/ASi-2,8A

characteristic line for derating

Allowed Output Current



characteristic line for mains buffering time

Hold-up Time

