

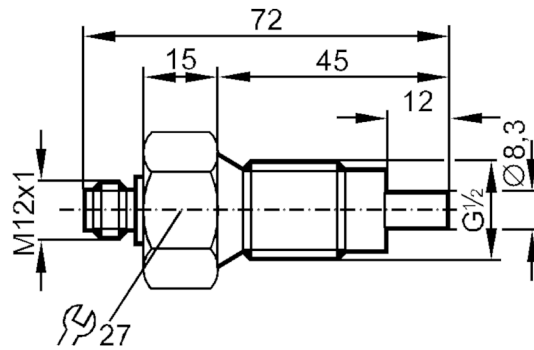
# ST3404



## Flow sensor for connection to an evaluation unit

STR12AAC/US-100-H

Article no longer available - archive entry



Product characteristics	
Process connection	G 1/2 external thread
Application	
Media	Liquids; aggressive media
Medium temperature [°C]	-25...80
Pressure rating [bar]	5
Liquids	
Medium temperature [°C]	-25...80
Electrical data	
Connection to control monitor	VS 0100
Measuring/setting range	
Liquids	
Setting range [cm/s]	3...300
Greatest sensitivity [cm/s]	3...60
Accuracy / deviations	
Temperature gradient [K/min]	15
Response times	
Response time [s]	2...20
Liquids	
Response time [s]	2...20
Operating conditions	
Protection	IP 67

# ST3404



## Flow sensor for connection to an evaluation unit

STR12AAC/US-100-H

Mechanical data	
Housing	threaded type
Materials	PTFE
Process connection	G 1/2 external thread

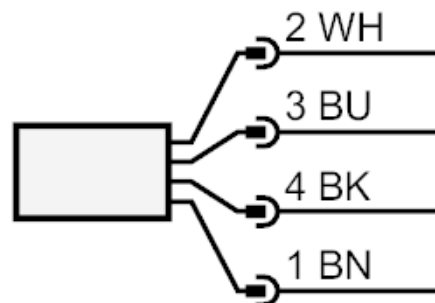
Remarks	
Pack quantity	1 pcs.

### Electrical connection

Connector: 1 x M12; Maximum cable length: 100 m



### Connection



	Core colours :
BN =	brown
WH =	white
YE =	yellow
GN =	green

Article no longer available - archive entry