

# SI1001

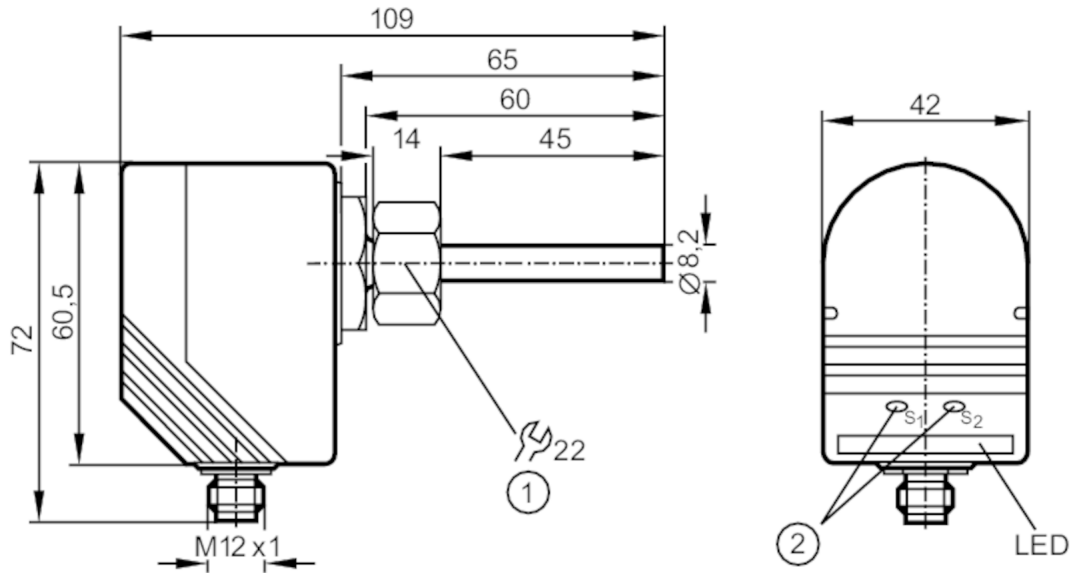


## Flow monitor

SID10ADBFNKG/US-100-INF

Article no longer available - archive entry

Alternative article: SI5001 or SI5011 When selecting an alternative article and accessories please note that technical data may differ! \$Achtung\_Druckfestigkeit\_fuer\_SI5001\_30\_bar – When selecting an alternative article and accessories please note that technical data may differ!



- 1 internal thread M18 x 1.5  
2 setting pushbuttons



### Product characteristics

|                              |                              |
|------------------------------|------------------------------|
| Number of inputs and outputs | Number of digital outputs: 1 |
| Process connection           | M18 x 1,5 internal thread    |

### Application

|                         |                |
|-------------------------|----------------|
| Media                   | Liquids; Gases |
| Medium temperature [°C] | -25...80       |
| Pressure rating [bar]   | 300            |

#### Liquids

|                         |          |
|-------------------------|----------|
| Medium temperature [°C] | -25...80 |
|-------------------------|----------|

#### Gases

|                         |          |
|-------------------------|----------|
| Medium temperature [°C] | -25...80 |
|-------------------------|----------|

### Electrical data

|                             |   |
|-----------------------------|---|
| Operating voltage [V]       | 20...36 DC; (according to EN 50178 SELV/PELV) |
| Current consumption [mA]    | < 80  |
| Reverse polarity protection | yes   |
| Power-on delay time [s]     | 15; (optically indicated)                     |

### Inputs / outputs

|                              |                              |
|------------------------------|------------------------------|
| Number of inputs and outputs | Number of digital outputs: 1 |
|------------------------------|------------------------------|



## Flow monitor

SID10ADBFNKG/US-100-INF

| Outputs   |                  |   |
|---|------------------|---|
| Total number of outputs                         |                  | 1   |
| Output signal                                   |                  | switching signal  |
| Electrical design                               |                  | NPN   |
| Number of digital outputs                       |                  | 1   |
| Output function                                 |                  | normally open / normally closed; (parameterisable)                  |
| Max. voltage drop switching output DC           | [V]              | 2.5   |
| Permanent current rating of switching output DC | [mA]             | 400   |
| Short-circuit protection                        |                  | yes   |
| Type of short-circuit protection                |                  | pulsed  |
| Overload protection                             |                  | yes   |
| Measuring/setting range                         |                  |   |
| Liquids   |                  |   |
| Setting range                                   | [cm/s]           | 3...300   |
| Greatest sensitivity                            | [cm/s]           | 3...60  |
| Gases   |                  |   |
| Setting range                                   | [cm/s]           | 200...3000  |
| Greatest sensitivity                            | [cm/s]           | 200...800   |
| Accuracy / deviations                           |                  |   |
| Temperature gradient                            | [K/min]          | 300   |
| Response times                                  |                  |   |
| Response time                                   | [s]              | 1...10  |
| Liquids   |                  |   |
| Response time                                   | [s]              | 1...10  |
| Gases   |                  |   |
| Response time                                   | [s]              | 1...10  |
| Software / programming                          |                  |   |
| Adjustment of the switch point                  |                  | pushbutton  |
| Operating conditions                            |                  |   |
| Ambient temperature                             | [°C]             | -25...80  |
| Protection                                      |                  | IP 67   |
| Tests / approvals                               |                  |   |
| Shock resistance                                | DIN IEC 68-2-27  | 50 g (11 ms)  |
| Vibration resistance                            | DIN EN 60068-2-6 | 20 g (55...2000 Hz)   |
| Mechanical data                                 |                  |   |
| Dimensions                                      | [mm]             | M18 x 1.5   |
| Thread designation                              |                  | M18 x 1.5   |
| Materials                                       |                  | PBT-GF20  |
| Materials (wetted parts)                        |                  | stainless steel (1.4404 / 316L); O-ring: FPM 8 x 1,5 gr 80° Shore A |
| Process connection                              |                  | M18 x 1,5 internal thread   |

# SI1001



## Flow monitor

SID10ADBFNKG/US-100-INF

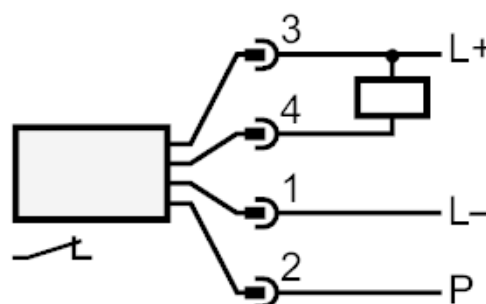
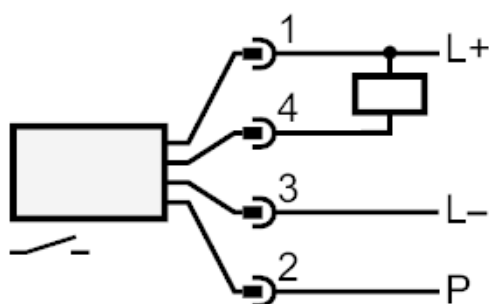
| Displays / operating elements |          |                        |
|-------------------------------|----------|------------------------|
| Display                       | function | 10 x LED, three-colour |
| Remarks                       |          |                        |
| Pack quantity                 |          | 1 pcs.                 |

### Electrical connection

Connector: 1 x M12



### Connection



P = programming wire

Article no longer available - archive entry

Alternative article: SI5001 or SI5011 When selecting an alternative article and accessories please note that technical data may differ!; \$Achtung\_Druckfestigkeit\_fuer\_SI5001\_30\_bar – When selecting an alternative article and accessories please note that technical data may differ!