

# SF2004

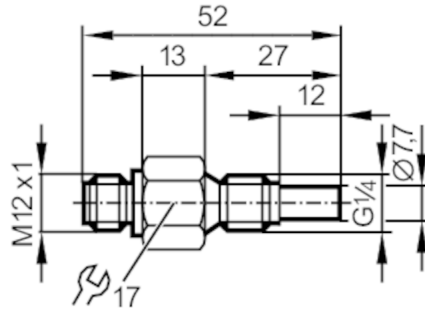


## Flow sensor for connection to an evaluation unit

SFR14ABA/US-100

Article no longer available - archive entry

replaced by: SF5200 + E40099



### Product characteristics

Process connection G 1/4 external thread

### Application

Application high-temperature range

Media Liquids; Gases

Medium temperature [°C] -25...80

Pressure rating [bar] 30

### Liquids

Application high-temperature range

Medium temperature [°C] -25...80

### Gases

Medium temperature [°C] -25...80

### Electrical data

Connection to control monitor VS 0200

### Measuring/setting range

#### Liquids

Setting range [cm/s] 3...300

Greatest sensitivity [cm/s] 3...60

#### Gases

Setting range [cm/s] 200...2000

Greatest sensitivity [cm/s] 200...800

### Accuracy / deviations

Temperature gradient [K/min] 15

### Response times

Response time [s] 1...10

#### Liquids

Response time [s] 1...10

#### Gases

Response time [s] 1...10

# SF2004



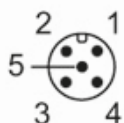
## Flow sensor for connection to an evaluation unit

SFR14ABA/US-100

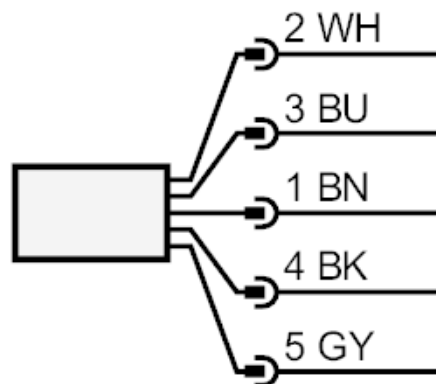
Operating conditions	
Protection	IP 67
Mechanical data	
Housing	threaded type
Materials	stainless steel (1.4305 / 303)
Materials (wetted parts)	stainless steel (1.4305 / 303)
Process connection	G 1/4 external thread
Accessories	
Accessories (supplied)	sealings: 2 x AMF 30
Remarks	
Pack quantity	1 pcs.

### Electrical connection

Connector: 1 x M12; Maximum cable length: 100 m



### Connection



- Core colours :
- BN = brown
  - BU = blue
  - BK = black
  - WH = white
  - GY = grey

Article no longer available - archive entry

replaced by: SF5200 + E40099