

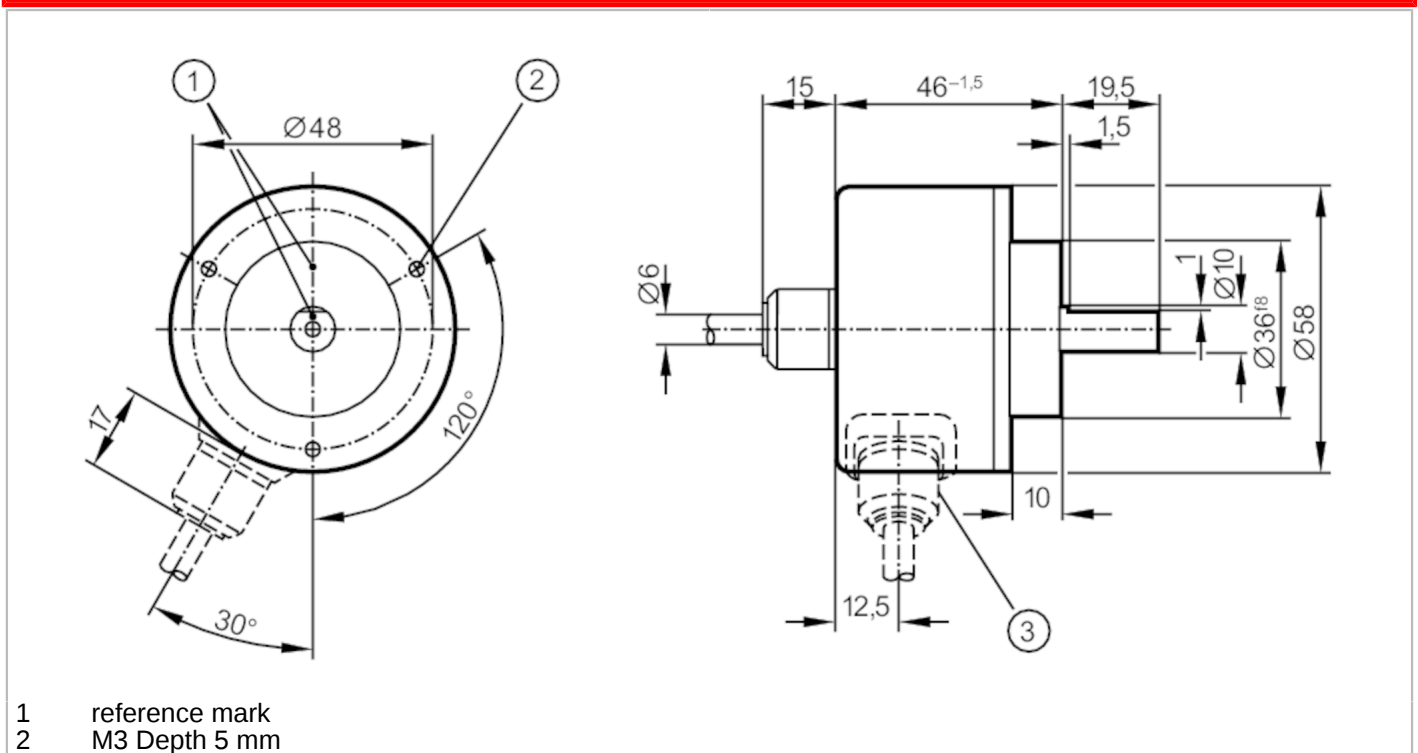
RV1071



Incremental encoder with solid shaft

RV-1024-I05/SAE

Article no longer available - archive entry



- 1 reference mark
- 2 M3 Depth 5 mm



Product characteristics

Resolution	1024 resolution
Shaft design	solid shaft
Shaft diameter [mm]	10

Electrical data

Operating voltage tolerance [%]	10
Operating voltage [V]	5 DC
Current consumption [mA]	150

Outputs

Electrical design	TTL
Max. current load per output [mA]	20
Switching frequency [kHz]	300
Phase difference A and B [°]	90

Measuring/setting range

Resolution	1024 resolution
------------	-----------------

Operating conditions

Ambient temperature [°C]	-20...70
Storage temperature [°C]	-30...100
Protection	IP 66

Tests / approvals

Shock resistance	100 g (6 ms)
Vibration resistance	10 g (55...2000 Hz)

RV1071



Incremental encoder with solid shaft

RV-1024-I05/SAE

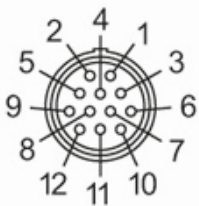
Mechanical data		
Dimensions	[mm]	Ø 58 / L = 46
Materials		aluminium
Max. revolution, mechanical [U/min]		12000
Max. starting torque	[Nm]	1
Reference temperature torque	[°C]	20
Shaft design		solid shaft
Shaft diameter	[mm]	10
Shaft material		steel (1.4104)
Max. shaft load axial (at the shaft end)	[N]	10
Max. shaft load radial (at the shaft end)	[N]	20

Electrical connection

Cable: 10 m, PUR; axial

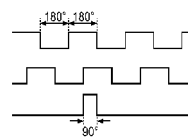
pin 1	A
pin 2	A inverted
pin 3	B
pin 4	B inverted
pin 5	+5V sensor
pin 6	0 index
pin 7	0 index inverted
pin 9	+5V (Up)
pin 10	0V sensor
pin 11	housing
pin 12	0V (Un)

Connector: 1 x Bajonett (ifm 1000.2)



Diagrams and graphs

Pulse diagram



Output A

Output B

0 index

RV1071

Incremental encoder with solid shaft

RV-1024-I05/SAE



Article no longer available - archive entry
