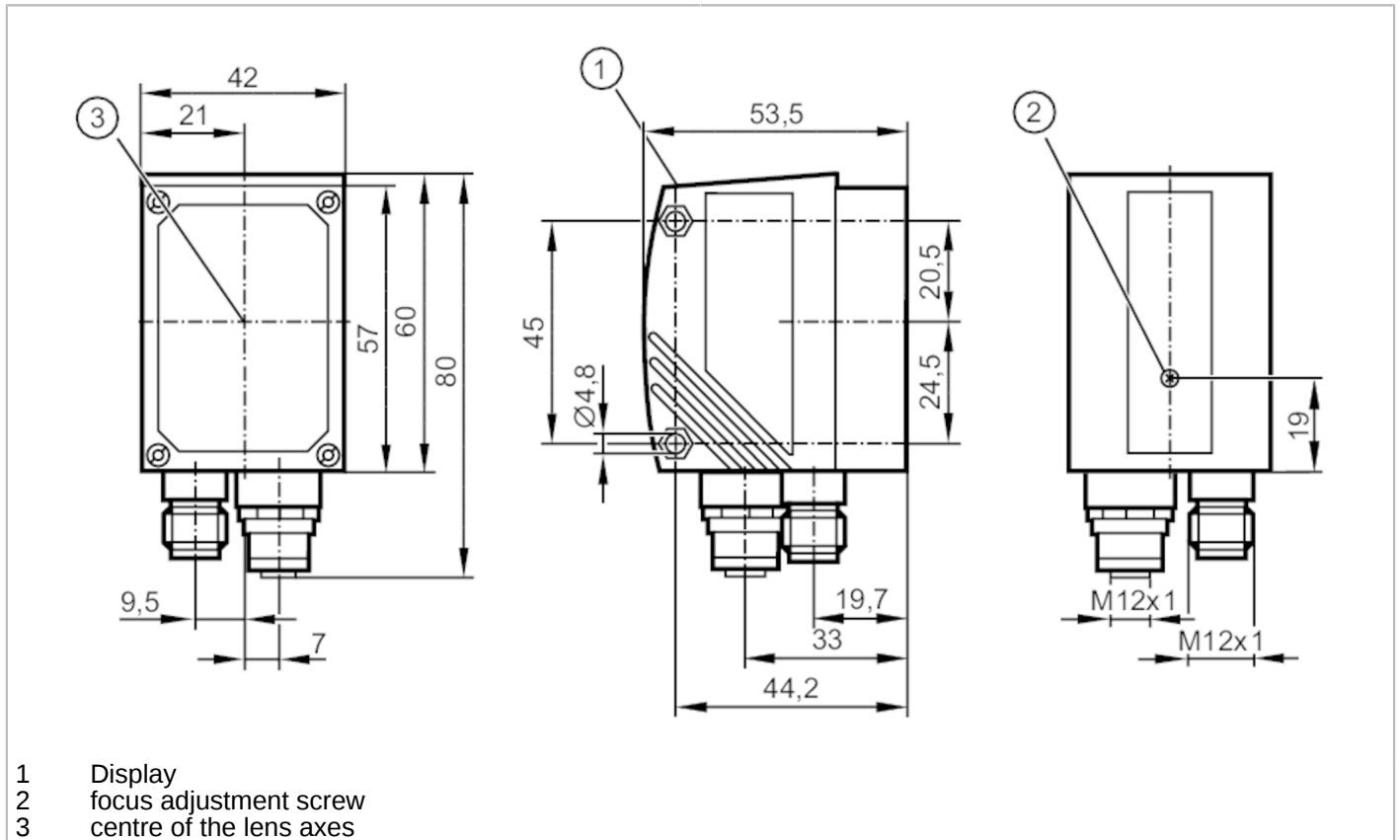


# O2D220



## Object recognition sensor

O2DIRPKG/K



### Product characteristics

Type of light		infrared light
Image resolution	[pixels]	640 x 480
Max. reading rate	[Hz]	20
Dimensions	[mm]	60 x 42 x 53.5

### Electrical data

Operating voltage tolerance	[%]	10
Operating voltage	[V]	24 DC
Current consumption	[mA]	300
Protection class		III
Reverse polarity protection		yes
Type of light		infrared light
Wave length	[nm]	850
Image sensor		CMOS image sensor black/white

### Inputs / outputs

Number of inputs and outputs	Number of digital inputs: 2; Number of digital outputs: 5
------------------------------	---

### Inputs

Number of digital inputs	2
Trigger	24 V PNP (IEC 61131-2 Typ 1); internal
Input circuit of digital inputs	24 V PNP; (configurable; IEC 61131-2 Typ 1)



## Object recognition sensor

O2DIRPKG/K

Outputs	
Total number of outputs	5
Number of digital outputs	5; (configurable)
Output function	24 V PNP
Max. voltage drop switching output DC [V]	2
Max. current load per output [mA]	100
Short-circuit protection	yes
Overload protection	yes

Detection zone					
Field of view size	[mm]	Operating distance	field of view	Smallest detectable object	Resolution
		50	16 x 12	0,1	0,025
		75	24 x 18	0,2	0,05
		100	32 x 24	0,3	0,075
		200	64 x 48	0,4	0,1
		400	128 x 96	0,8	0,2
		1000	320 x 240	2,0	0,5
		2000	640 x 480	4,0	1,0
Image resolution [pixels]	640 x 480				
Max. reading rate [Hz]	20				

Software / programming	
Parameter setting options	via two pushbuttons and 10-segment display or via PC / notebook with operating software

Interfaces	
Communication interface	Ethernet
Ethernet	
Number of Ethernet interfaces	1
Transmission standard	10Base-T; 100Base-TX
Transmission rate	10; 100
Protocol	TCP/IP; EtherNet/IP
Factory settings	IP address: 192.168.0.49
	subnet mask: 255.255.255.0
	gateway IP address: 192.168.0.201
	MAC address: see type label

Operating conditions	
Ambient temperature [°C]	-10...60
Storage temperature [°C]	-40...85
Protection	IP 67


Tests / approvals		
EMC	radiation of interference	EN 61326
	noise immunity	EN 61326
Shock resistance	IEC 60028-2-27	
Vibration resistance	IEC 60028-2-6	
MTTF [years]	90	

# O2D220



## Object recognition sensor

O2DIRPKG/K

Mechanical data		
Weight [g]	442.5	
Dimensions [mm]	60 x 42 x 53.5	
Materials	housing: diecast zinc powder-coated; front lens: glass; LED window: PC	
Displays / operating elements		
Display	function	3 x LED, green
	switching status	4 LED, yellow
		10-segment display, 4-digit
Accessories		
Accessories (optional)	Operating software	
	Mounting accessories	
Remarks		
Remarks	operating voltage "supply class 2" according to cULus	
Notes	For 8-pole sockets the core colours are not standardised.; Please note the wiring of the sensor and the sockets (see data sheet).	
Pack quantity	1 pcs.	
Electrical connection - Ethernet		
1	TD+	
2	RD+	
3	TD-	
4	RD-	
Connector: 1 x M12		
		
Electrical connection - Process connection		
1	U+	
2	trigger input	
3	0 V	
4	switching output 5 / trigger output	
5	switching output 3 / Ready	
6	switching output 4 / OUT	
7	switching output 1 / input 1	
8	switching output 2 / input 2	
Connector: 1 x M12		

# O2D220

## Object recognition sensor

O2DIRPKG/K

