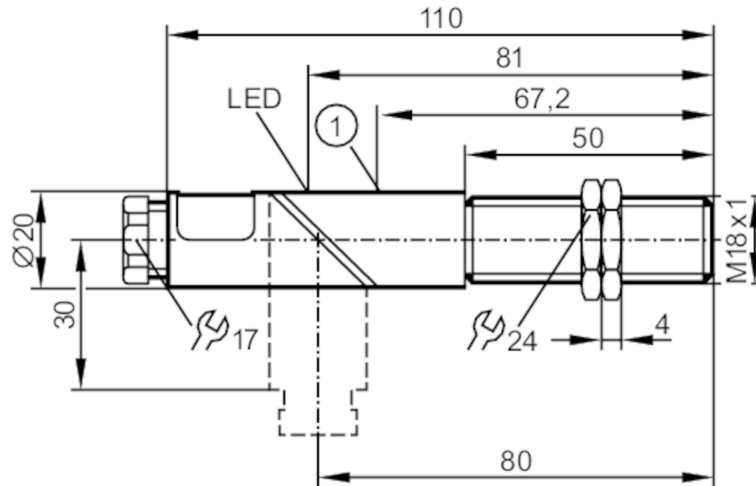


KG5040



Capacitive sensor

KGE2008-FRKG/NI



1 potentiometer



Product characteristics

| | |
|--------------------|---|
| Electrical design | PNP/NPN |
| Output function | normally open / normally closed; (selectable) |
| Sensing range [mm] | 2.5...8 |
| Housing | threaded type |
| Dimensions [mm] | M18 x 1 / L = 110 |

Electrical data

| | |
|-----------------------|------------|
| Operating voltage [V] | 10...55 DC |
| Protection class | II |

Outputs

| | |
|--|---|
| Electrical design | PNP/NPN |
| Output function | normally open / normally closed; (selectable) |
| Max. voltage drop switching output DC [V] | 4.6 |
| Minimum load current [mA] | 4 |
| Max. leakage current [mA] | 1 |
| Permanent current rating of switching output DC [mA] | 200; (400 (...50 °C)) |
| Switching frequency DC [Hz] | 50 |
| Short-circuit proof | yes |
| Overload protection | yes |

Detection zone

| | |
|------------------------------------|---------------|
| Sensing range [mm] | 2.5...8 |
| Sensing range adjustable | yes |
| Factory setting sensing range [mm] | 8 |
| Real sensing range S_r [mm] | $8 \pm 10 \%$ |
| Operating distance [mm] | 0...6.5 |

KG5040



Capacitive sensor

KGE2008-FRKG/NI

| Accuracy / deviations | | |
|---|------------------|--|
| Correction factor | | glass: 0.4 / water: 1 / ceramics: 0.2 / PVC: 0.2 |
| Hysteresis | [% of Sr] | 1...15 |
| Switch point drift | [% of Sr] | -15...15 |
| Operating conditions | | |
| Ambient temperature | [°C] | -25...80 |
| Protection | | IP 65 |
| Tests / approvals | | |
| EMC | | EN 60947-5-2 |
| MTTF | [years] | 497 |
| Mechanical data | | |
| Weight | [g] | 80.5 |
| Housing | | threaded type |
| Mounting | | non-flush mountable |
| Dimensions | [mm] | M18 x 1 / L = 110 |
| Thread designation | | M18 x 1 |
| Materials | | PBT |
| Displays / operating elements | | |
| Display | switching status | 1 x LED, yellow |
| Accessories | | |
| Accessories (supplied) | | lock nuts: 2 screwdriver: 1 |
| Remarks | | |
| Pack quantity | | 1 pcs. |
| Electrical connection | | |
| terminals: ...2.5 mm ² ; Cable sheath: Ø 4.5...10 mm; Cable gland: M16 X 1.5 | | |
| Connection | | |

