

# IM5104

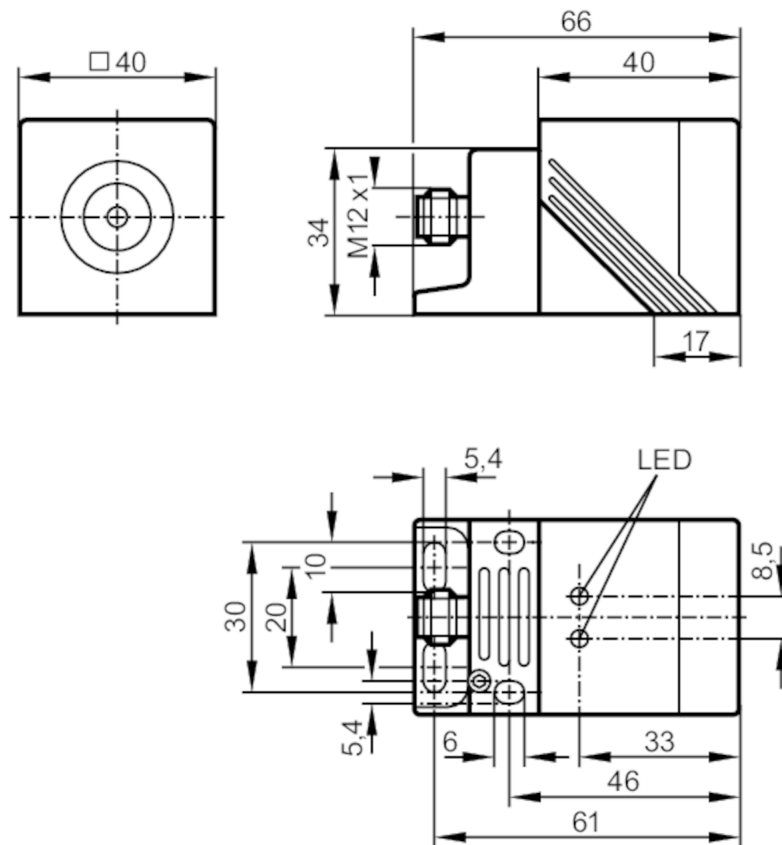


## Inductive sensor

IMC3035UBPKG/K1/SC/US-100-DPS

Article no longer available - archive entry

Alternative article: IM5120 or IM5129 When selecting an alternative article and accessories please note that technical data may differ! – When selecting an alternative article and accessories please note that technical data may differ!



### Product characteristics

Electrical design	PNP
Output function	normally open
Sensing range [mm]	35
Housing	rectangular
Dimensions [mm]	40 x 40 x 66

### Application

Special feature	Gold-plated contacts; Correction factor K = 1; Magnetic-field immune
Magnetic-field immune	yes

### Electrical data

Operating voltage [V]	10...36 DC
Current consumption [mA]	20; (24 V)
Protection class	II
Reverse polarity protection	yes

# IM5104



## Inductive sensor

IMC3035UBPKG/K1/SC/US-100-DPS

Outputs		
Electrical design		PNP
Output function		normally open
Max. voltage drop switching output DC	[V]	2.5
Permanent current rating of switching output DC	[mA]	250
Switching frequency DC	[Hz]	200
Short-circuit protection		yes
Type of short-circuit protection		pulsed
Overload protection		yes
Detection zone		
Sensing range	[mm]	35
Real sensing range Sr	[mm]	35 ± 10 %
Operating distance	[mm]	0...28.3
Accuracy / deviations		
Correction factor		steel: 1 / stainless steel: 1.1 / brass: 1.1 / aluminium: 1.1 / copper: 1.1
Hysteresis	[% of Sr]	1...20
Switch point drift	[% of Sr]	-10...10
Correction factor K = 1		yes
Operating conditions		
Ambient temperature	[°C]	-25...70
Protection		IP 67
Tests / approvals		
EMC	EN 61000-4-2 ESD	4 kV CD / 8 kV AD
	EN 61000-4-3 HF radiated	10 V/m
	EN 61000-4-4 Burst	2 kV
	EN 61000-4-5 Surge	0,5 kV line to line, Ri: 2 Ohm
	EN 61000-4-6 HF conducted	10 V
	EN 55011	class B
Mechanical data		
Housing		rectangular
Mounting		non-flush mountable
Dimensions	[mm]	40 x 40 x 66
Materials		housing: PPE; cover: PPE PTFE coated; connector housing: brass white bronze coated; end cap: PPS; clamp: PPS
Displays / operating elements		
Display	switching status	1 x LED, yellow
	operation	1 x LED, green
Accessories		
Accessories (supplied)		Mounting bracket: 1 Allen key: 1

# IM5104



## Inductive sensor

IMC3035UBPKG/K1/SC/US-100-DPS

### Remarks

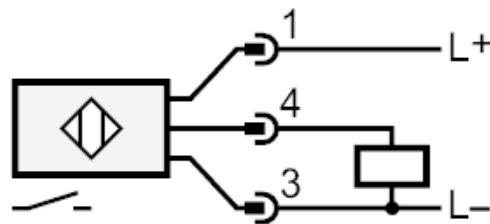
Remarks	5 positions of the active zone possible
Pack quantity	1 pcs.

### Electrical connection - plug

Connector: 1 x M12; Contacts: gold-plated



### Connection



Article no longer available - archive entry

Alternative article: IM5120 or IM5129 When selecting an alternative article and accessories please note that technical data may differ! – When selecting an alternative article and accessories please note that technical data may differ!