

IM5098

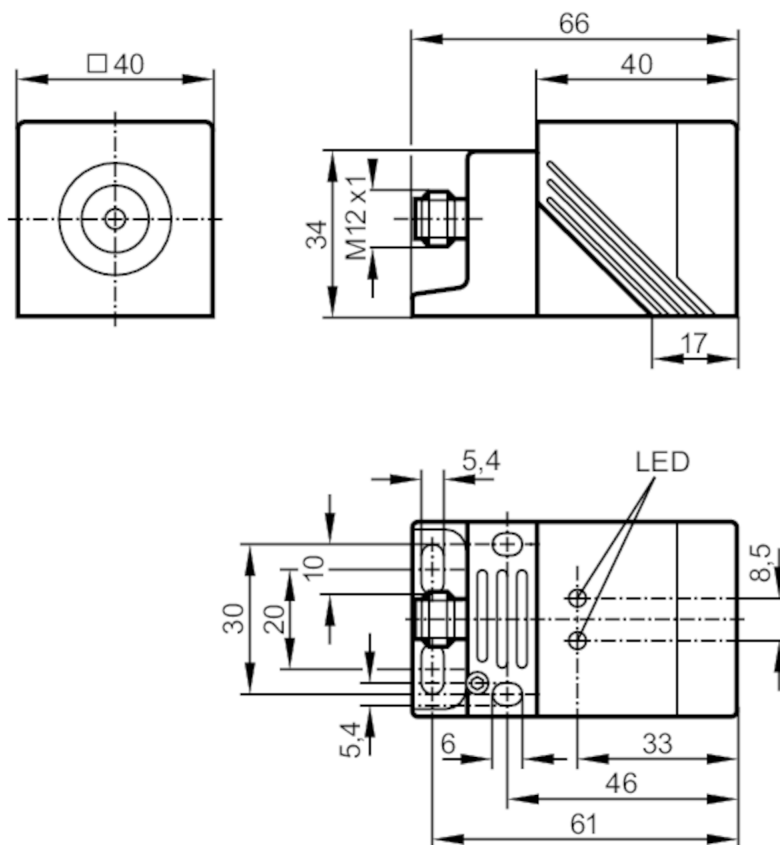


Inductive sensor

IMC4035UCPKG/K1/SC/US-100-DPA

discontinued article

Alternative article: IM5124 or IM5126 When selecting an alternative article and accessories please note that technical data may differ! – When selecting an alternative article and accessories please note that technical data may differ!



Product characteristics

Electrical design	PNP
Output function	complementary
Sensing range [mm]	35
Housing	rectangular
Dimensions [mm]	40 x 40 x 66

Application

Special feature	Correction factor K = 1; Magnetic-field immune
Magnetic-field immune	yes

Electrical data

Operating voltage [V]	10...36 DC
Current consumption [mA]	20; (24 V)
Protection class	II
Reverse polarity protection	yes

IM5098



Inductive sensor

IMC4035UCPKG/K1/SC/US-100-DPA

Outputs		
Electrical design		PNP
Output function		complementary
Max. voltage drop switching output DC	[V]	2.5
Permanent current rating of switching output DC	[mA]	250
Switching frequency DC	[Hz]	250
Short-circuit protection		yes
Type of short-circuit protection		pulsed
Overload protection		yes
Detection zone		
Sensing range	[mm]	35
Real sensing range Sr	[mm]	35 ± 10 %
Operating distance	[mm]	0...28.3
Accuracy / deviations		
Correction factor		steel: 1 / stainless steel: 1 / brass: 1 / aluminium: 1 / copper: 1
Hysteresis	[% of Sr]	1...15
Switch point drift	[% of Sr]	-10...10
Correction factor K = 1		yes
Operating conditions		
Ambient temperature	[°C]	-25...70
Protection		IP 67
Tests / approvals		
EMC		EN 60947-5-2
MTTF	[years]	943
UL approval	Ta	0...40 °C
	Enclosure type	Type 1
	voltage supply	Hazardous voltage
	File number UL	E174191
Mechanical data		
Weight	[g]	142
Housing		rectangular
Mounting		non-flush mountable
Dimensions	[mm]	40 x 40 x 66
Materials		housing: PPE; cover: PPE PTFE coated; connector housing: brass white bronze coated; end cap: PPS; clamp: PPS
Displays / operating elements		
Display	switching status	1 x LED, yellow
	operation	1 x LED, green
Accessories		
Accessories (supplied)		Mounting bracket: 1
		Allen key: 1

IM5098



Inductive sensor

IMC4035UCPKG/K1/SC/US-100-DPA

Remarks

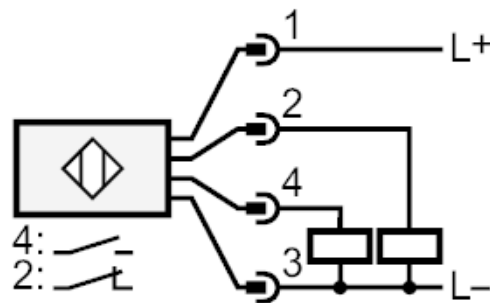
Remarks	5 positions of the active zone possible
Pack quantity	1 pcs.

Electrical connection - plug

Connector: 1 x M12



Connection



discontinued article

Alternative article: IM5124 or IM5126 When selecting an alternative article and accessories please note that technical data may differ! – When selecting an alternative article and accessories please note that technical data may differ!