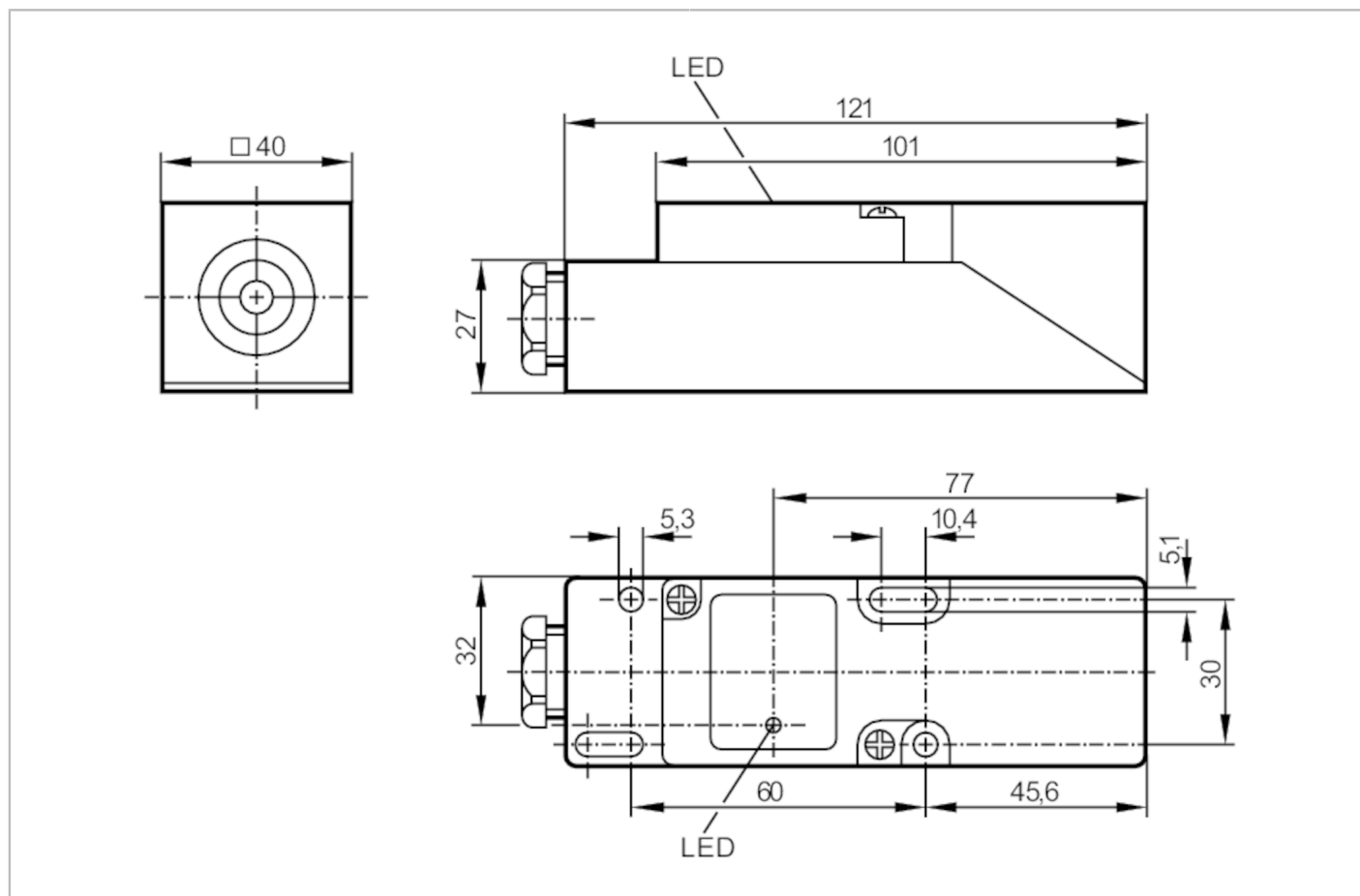


# IM5037



## Inductive sensor

IME2015BFRKG



### Product characteristics

Electrical design		PNP/NPN
Output function		normally open / normally closed; (selectable)
Sensing range	[mm]	15
Housing		rectangular
Dimensions	[mm]	40 x 40 x 120

### Electrical data

Operating voltage	[V]	10...55 DC
Protection class		II
Reverse polarity protection		yes

# IM5037



## Inductive sensor

IME2015BFRKG

Outputs		
Electrical design	PNP/NPN	
Output function	normally open / normally closed; (selectable)	
Max. voltage drop switching output DC [V]	4.6	
Minimum load current [mA]	4	
Max. leakage current [mA]	1	
Permanent current rating of switching output DC [mA]	400	
Switching frequency DC [Hz]	250	
Short-circuit protection	yes	
Type of short-circuit protection	pulsed	
Overload protection	yes	
Detection zone		
Sensing range [mm]	15	
Real sensing range Sr [mm]	15 ± 10 %	
Operating distance [mm]	0...12.1	
Accuracy / deviations		
Correction factor	steel: 1 / stainless steel: 0.7 / brass: 0.4 / aluminium: 0.3 / copper: 0.2	
Hysteresis [% of Sr]	1...15	
Switch point drift [% of Sr]	-10...10	
Operating conditions		
Ambient temperature [°C]	-25...80	
Protection	IP 65	
Tests / approvals		
EMC	EN 60947-5-2	
MTTF [years]	1635	
Mechanical data		
Weight [g]	189	
Housing	rectangular	
Mounting	flush mountable	
Dimensions [mm]	40 x 40 x 120	
Materials	PPE	
Displays / operating elements		
Display	switching status	1 x LED, yellow
Remarks		
Remarks	5 positions of the active zone possible	
Pack quantity	1 pcs.	

# IM5037



## Inductive sensor

IME2015BFRKG

### Electrical connection

terminals: ...2.5 mm<sup>2</sup>; Cable sheath: Ø 7...13 mm; Cable gland: M20 X 1.5

### Connection

