

IM501A

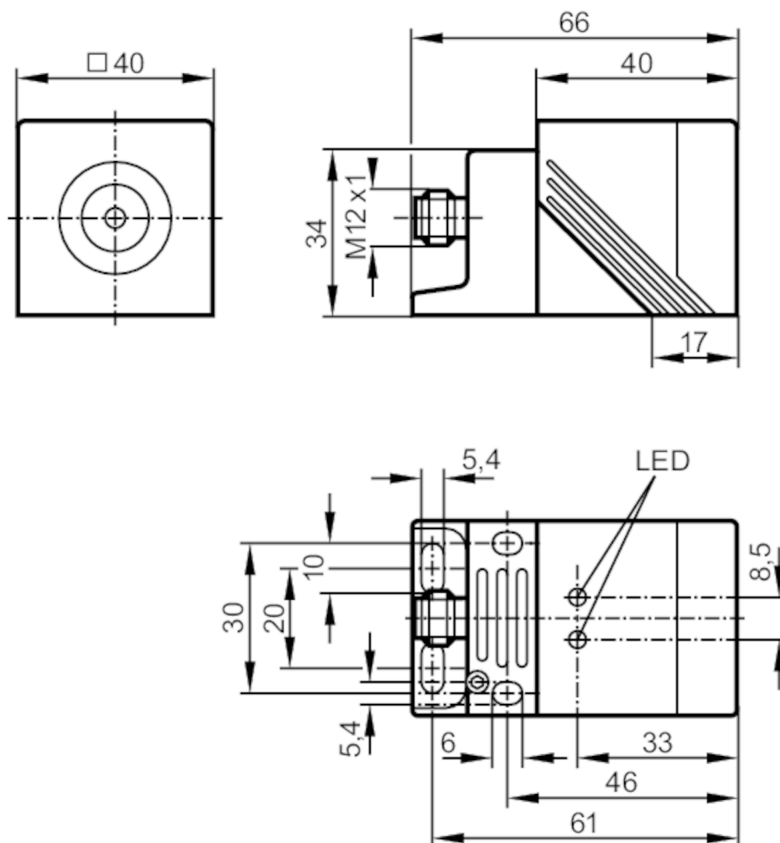
Inductive sensor

IMC4020BCPKG/K1/US/3D



Article no longer available - archive entry

replaced by: IM512A



Product characteristics

Electrical design	PNP
Output function	complementary
Sensing range [mm]	20
Housing	rectangular
Dimensions [mm]	40 x 40 x 66

Application

Special feature	Correction factor K = 1
-----------------	-------------------------

Electrical data


Operating voltage [V]	10...36 DC
Current consumption [mA]	20; (24 V)
Protection class	II
Reverse polarity protection	yes

IM501A



Inductive sensor

IMC4020BCPKG/K1/US/3D

Outputs		
Electrical design	PNP	
Output function	complementary	
Max. voltage drop switching output DC [V]	2.5	
Permanent current rating of switching output DC [mA]	200	
Switching frequency DC [Hz]	200	
Short-circuit protection	yes	
Type of short-circuit protection	pulsed	
Overload protection	yes	
Detection zone		
Sensing range [mm]	20	
Real sensing range Sr [mm]	20 ± 10 %	
Operating distance [mm]	0...16.2	
Accuracy / deviations		
Correction factor	steel: 1 / stainless steel: 1.1 / brass: 1.1 / aluminium: 1.1 / copper: 1.1	
Hysteresis [% of Sr]	3...15	
Switch point drift [% of Sr]	-10...10	
Correction factor K = 1	yes	
Operating conditions		
Ambient temperature [°C]	-20...60	
Protection	IP 67	
Tests / approvals		
ATEX marking	 II 3D Ex tD A22 IP67 T80°C X	
EMC	EN 60947-5-2	
MTTF [years]	945	
Mechanical data		
Weight [g]	0.174	
Housing	rectangular	
Mounting	flush mountable	
Dimensions [mm]	40 x 40 x 66	
Materials	housing: PPE; sensing face: PPE; end cap: PPS; connector housing: brass white bronze coated; clamp: PPS	
Displays / operating elements		
Display	switching status	1 x LED, yellow
	operation	1 x LED, green
Remarks		
Pack quantity	1 pcs.	
Electrical connection - plug		
Connector: 1 x M12		

IM501A

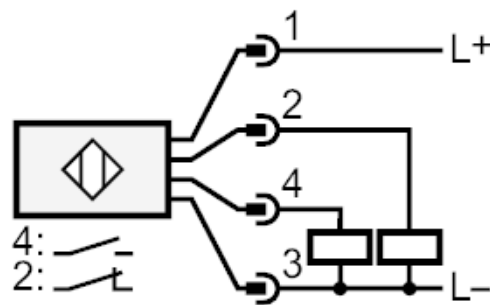


Inductive sensor

IMC4020BCPKG/K1/US/3D



Connection



Article no longer available - archive entry

replaced by: IM512A