

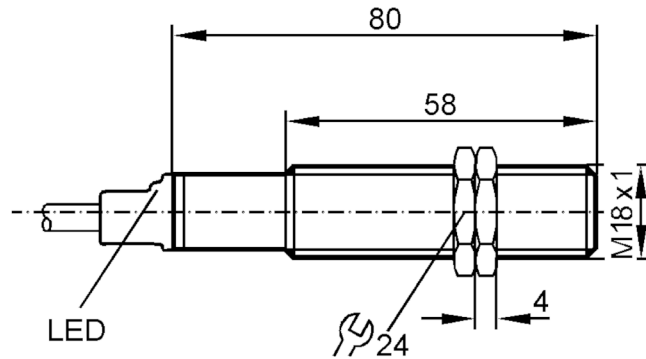
# IG9210



## Inductive sensor

IG-2008-ARKG/10M/PVC

Article no longer available - archive entry



### Electrical data

Operating voltage [V]	10...55 DC
Protection class	II
Reverse polarity protection	yes

### Outputs

Electrical design	PNP/NPN
Output function	normally open
Max. voltage drop switching output DC [V]	4.6
Minimum load current [mA]	4
Max. leakage current [mA]	0.6
Permanent current rating of switching output DC [mA]	400
Switching frequency DC [Hz]	300
Short-circuit protection	yes
Type of short-circuit protection	pulsed
Overload protection	yes

### Detection zone

Sensing range [mm]	8
Real sensing range $S_r$ [mm]	$8 \pm 10\%$
Operating distance [mm]	0...6.5

# IG9210

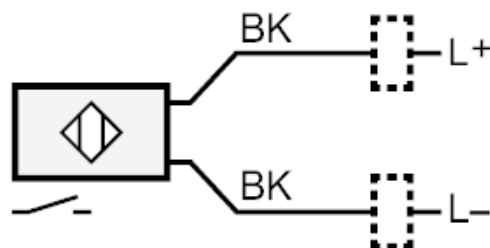


## Inductive sensor

IG-2008-ARKG/10M/PVC

Accuracy / deviations		
Correction factor	steel: 1 / stainless steel: 0.7 / brass: 0.5 / aluminium: 0.4 / copper: 0.3	
Hysteresis [% of Sr]	3...15	
Switch point drift [% of Sr]	-10...10	
Operating conditions		
Ambient temperature [°C]	-25...80	
Protection	IP 67	
Tests / approvals		
EMC	EN 60947-5-2	
	EN 55011	class B
Mechanical data		
Housing	threaded type	
Mounting	non-flush mountable	
Dimensions [mm]	M18 x 1	
Thread designation	M18 x 1	
Materials	PBT	
Displays / operating elements		
Display	switching status	1 x LED, yellow
Accessories		
Accessories (supplied)	lock nuts: 2	
Remarks		
Pack quantity	1 pcs.	
Electrical connection		
Cable: 10 m, PVC; 2 x 0.34 mm <sup>2</sup>		

### Connection



Core colours :

BK = black

Article no longer available - archive entry