

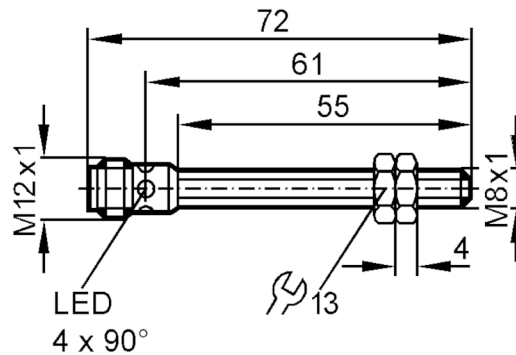


Inductive sensor

IEA3002BBPKG/US-100-DPS

Article no longer available - archive entry

Alternative article: IE5312 When selecting an alternative article and accessories please note that technical data may differ! – When selecting an alternative article and accessories please note that technical data may differ!



Product characteristics

Electrical design		PNP
Output function		normally open
Sensing range	[mm]	2
Housing		threaded type
Dimensions	[mm]	M8 x 1

Electrical data

Operating voltage	[V]	10...30 DC
Current consumption	[mA]	< 9.5
Reverse polarity protection		yes

Outputs

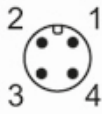
Electrical design		PNP
Output function		normally open
Max. voltage drop switching output DC	[V]	1.8
Permanent current rating of switching output DC	[mA]	150
Switching frequency DC	[Hz]	2000
Short-circuit protection		yes
Type of short-circuit protection		pulsed
Overload protection		yes

IE5259



Inductive sensor

IEA3002BBPKG/US-100-DPS

Detection zone		
Sensing range	[mm]	2
Real sensing range Sr	[mm]	2 ± 10 %
Operating distance	[mm]	0...1.6
Accuracy / deviations		
Correction factor		steel: 1 / stainless steel: 0.7 / brass: 0.4 / aluminium: 0.3 / copper: 0.2
Hysteresis	[% of Sr]	3...15
Switch point drift	[% of Sr]	-10...10
Operating conditions		
Ambient temperature	[°C]	-25...70
Protection		IP 67
Tests / approvals		
EMC	EN 60947-5-2	
	EN 55011	class B
Mechanical data		
Housing		threaded type
Mounting		flush mountable
Dimensions	[mm]	M8 x 1
Thread designation		M8 x 1
Materials		PA 12-GF30; brass chromium-plated
Displays / operating elements		
Display	switching status	4 x 90° LED, yellow
Accessories		
Accessories (supplied)		lock nuts: 2
Remarks		
Pack quantity		1 pcs.
Electrical connection - plug		
Connector: 1 x M12		
		

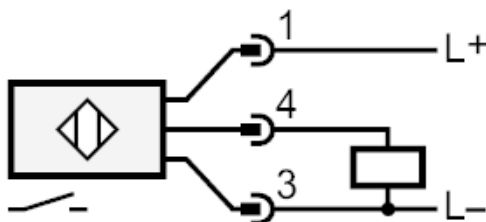
IE5259



Inductive sensor

IEA3002BBPKG/US-100-DPS

Connection



Article no longer available - archive entry

Alternative article: IE5312 When selecting an alternative article and accessories please note that technical data may differ! – When selecting an alternative article and accessories please note that technical data may differ!