

ID000A

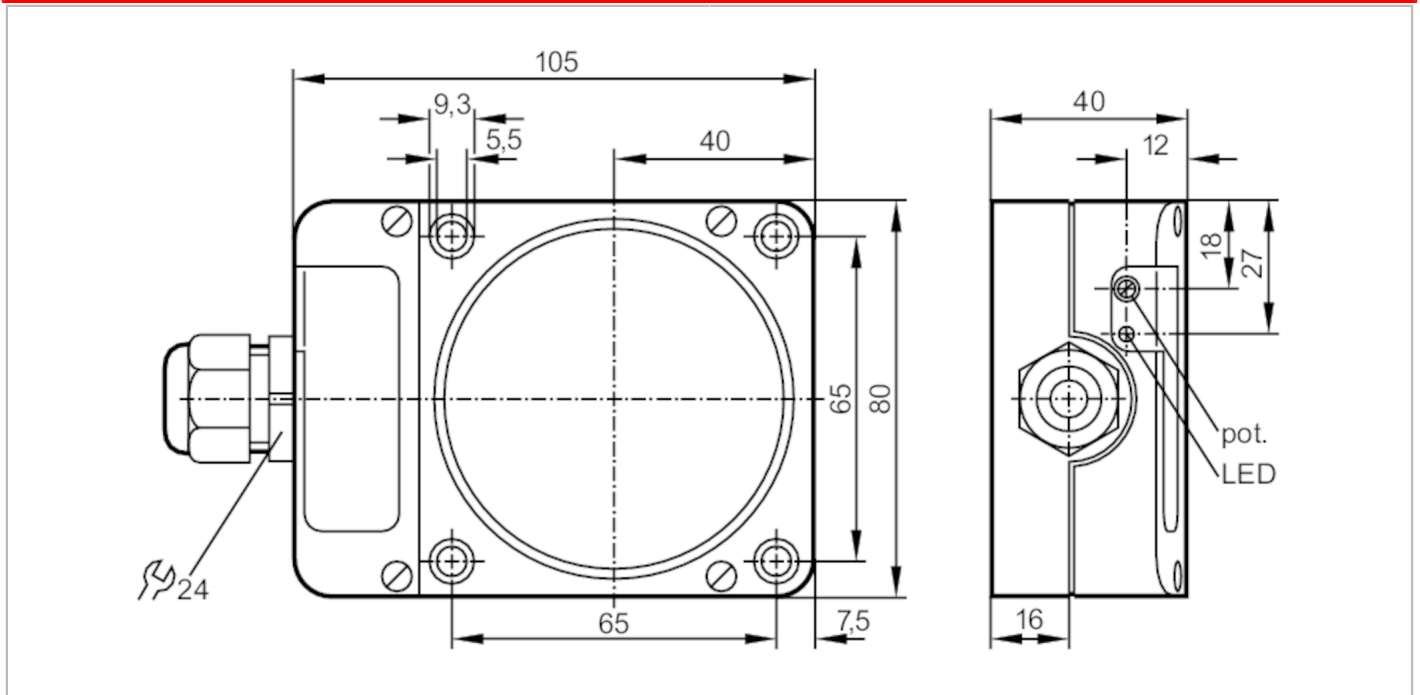


Inductive sensor

IDE2060-FBOA/3D

Article no longer available - archive entry

replaced by: ID002A



Product characteristics

Output function		normally open / normally closed; (selectable)
Sensing range	[mm]	60
Housing		rectangular
Dimensions	[mm]	105 x 80 x 40

Electrical data


Operating voltage	[V]	20...250 AC/DC
Protection class		II
Reverse polarity protection		no

ID000A



Inductive sensor

IDE2060-FBOA/3D

Outputs	
Output function	normally open / normally closed; (selectable)
Max. voltage drop switching output DC [V]	6
Max. voltage drop switching output AC [V]	6.5
Minimum load current [mA]	5
Max. leakage current [mA]	2.5 (250 V AC) / 1.3 (110 V AC) / 0.8 (24 V DC)
Permanent current rating of switching output AC [mA]	200; (350 (...50 °C); when used outside the hazardous area: 250 (...80 °C))
Permanent current rating of switching output DC [mA]	100; (350 (...50 °C); when used outside the hazardous area: 250 (...80 °C))
Short-time current rating of switching output [mA]	2200; (20 ms / 0,5 Hz)
Switching frequency AC [Hz]	4
Switching frequency DC [Hz]	4
Short-circuit proof	no
Overload protection	no
Detection zone	
Sensing range [mm]	60
Sensing range adjustable	yes
Factory setting sensing range [mm]	60
Real sensing range Sr [mm]	60 ± 10 %
Operating distance [mm]	0...48.6
Accuracy / deviations	
Correction factor	steel: 1 / stainless steel: 0.7 / brass: 0.4 / aluminium: 0.3 / copper: 0.2
Hysteresis [% of Sr]	1...15
Switch point drift [% of Sr]	-10...10
Operating conditions	
Ambient temperature [°C]	-20...60
Note on ambient temperature	when used outside the hazardous area: -25...80 °C
Protection	IP 65
Tests / approvals	
ATEX marking	 II 3D Ex tD A22 IP65 T90°C X
EMC	EN 60947-5-2
MTTF [years]	460
Mechanical data	
Weight [g]	0.465
Housing	rectangular
Mounting	non-flush mountable
Dimensions [mm]	105 x 80 x 40
Materials	PPE
Tightening torque for cable gland [Nm]	3.5

ID000A



Inductive sensor

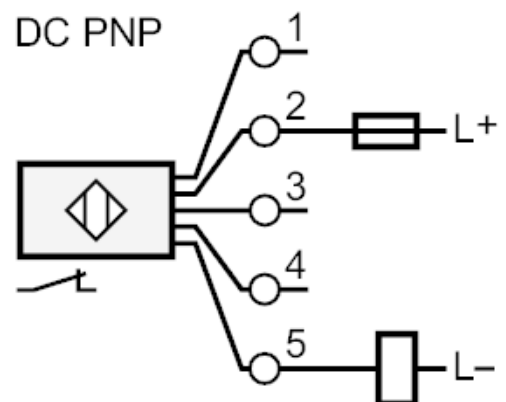
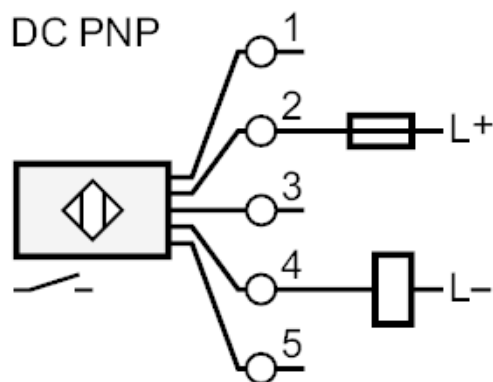
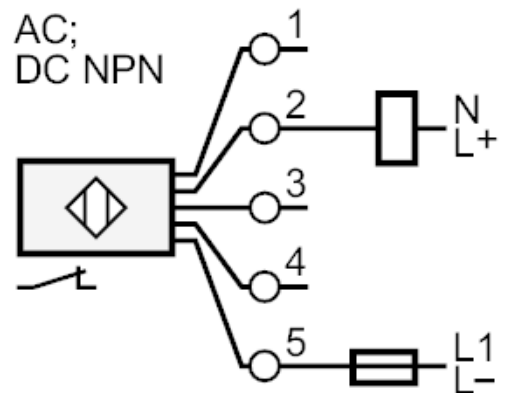
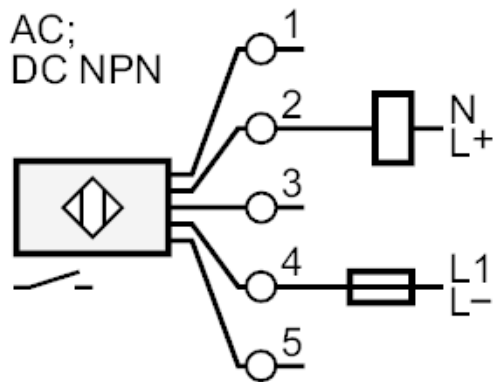
IDE2060-FBOA/3D

Displays / operating elements		
Display	switching status	1 x LED, yellow
Electrical connection		
Required protection	miniature fuse to IEC60127-2 sheet 1; ≤ 2 A; fast acting; Place the fuse outside the hazardous area.	
Accessories		
Accessories (supplied)	screwdriver: 1	
Remarks		
Remarks	Recommendation: Check the safe functioning of the unit after a short circuit.	
Pack quantity	1 pcs.	

Electrical connection

terminals: ...2.5 mm²; Cable sheath: \varnothing 5.5...13 mm; Cable gland: M20 X 1.5

Connection



Note miniature fuse to IEC60127-2 sheet 1 ≤ 2 A fast acting
Place the fuse outside the hazardous area.

Article no longer available - archive entry

replaced by: ID002A