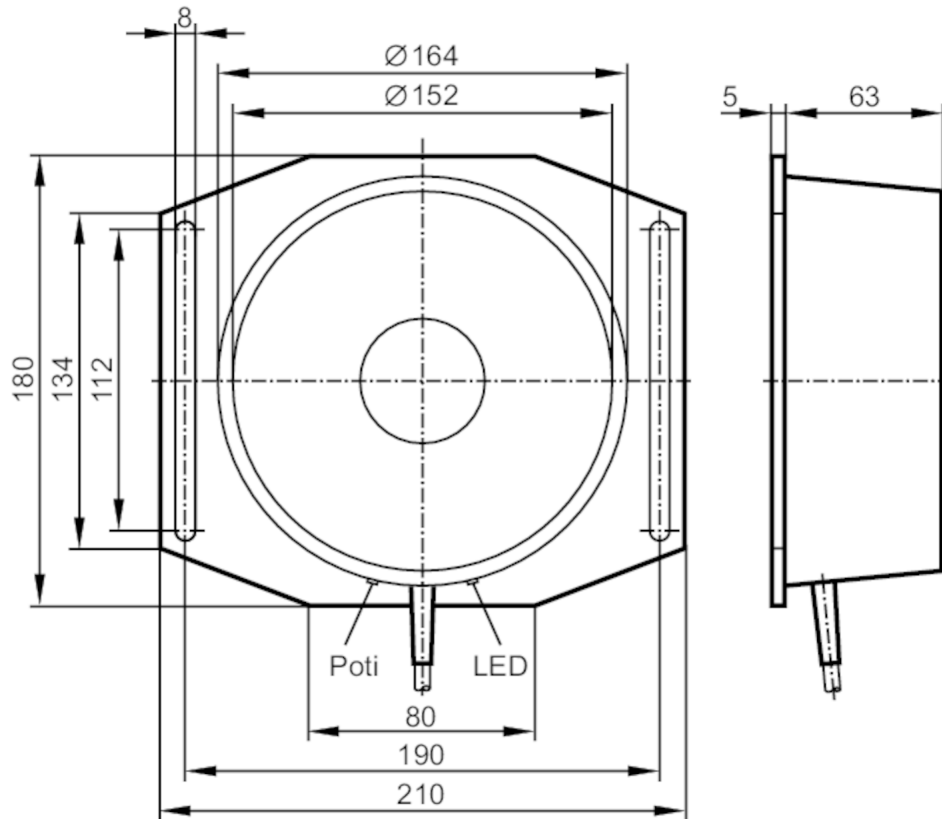


Inductive area sensor

SIY-3120-BPKG/6M

Article no longer available - archive entry



Product characteristics

| | | |
|-------------------|------|----------------|
| Electrical design | | PNP |
| Output function | | normally open |
| Sensing range | [mm] | 30...120 |
| Housing | | cylindrical |
| Dimensions | [mm] | Ø 164 / L = 68 |

Electrical data

| | | |
|-----------------------------|------|------------|
| Operating voltage | [V] | 10...36 DC |
| Current consumption | [mA] | 15; (24 V) |
| Protection class | | II |
| Reverse polarity protection | | yes |



Inductive area sensor

SIY-3120-BPKG/6M

| Outputs | | |
|---|------------------|---|
| Electrical design | | PNP |
| Output function | | normally open |
| Max. voltage drop switching output DC | [V] | 2.5 |
| Permanent current rating of switching output DC | [mA] | 250 |
| Switching frequency DC | [Hz] | 3 |
| Short-circuit protection | | yes |
| Type of short-circuit protection | | pulsed |
| Overload protection | | yes |
| Detection zone | | |
| Sensing range | [mm] | 30...120 |
| Sensing range adjustable | | yes |
| Factory setting sensing range | [mm] | 120 |
| Real sensing range Sr | [mm] | 120 ± 10 % |
| Accuracy / deviations | | |
| Correction factor | | steel: 1 / stainless steel: 0.7 / brass: 0.4 / aluminium: 0.3 / copper: 0.2 |
| Hysteresis | [% of Sr] | < 15 |
| Switch point drift | [% of Sr] | -15...15 |
| Operating conditions | | |
| Ambient temperature | [°C] | -20...70 |
| Protection | | IP 65 |
| Tests / approvals | | |
| EMC | | EN 60947-5-2 |
| Mechanical data | | |
| Housing | | cylindrical |
| Mounting | | non-flush mountable |
| Type of mounting | | with mounting plate |
| Dimensions | [mm] | Ø 164 / L = 68 |
| Materials | | housing: PBT; Mounting plate: aluminium anodised |
| Displays / operating elements | | |
| Display | switching status | 1 x LED, yellow |
| Remarks | | |
| Pack quantity | | 1 pcs. |

I27007



Inductive area sensor

SIY-3120-BPKG/6M

Electrical connection

Cable: 6 m, PVC; 3 x 0.5 mm²

Connection



Core colours :

BK = black
BN = brown
BU = blue

Article no longer available - archive entry