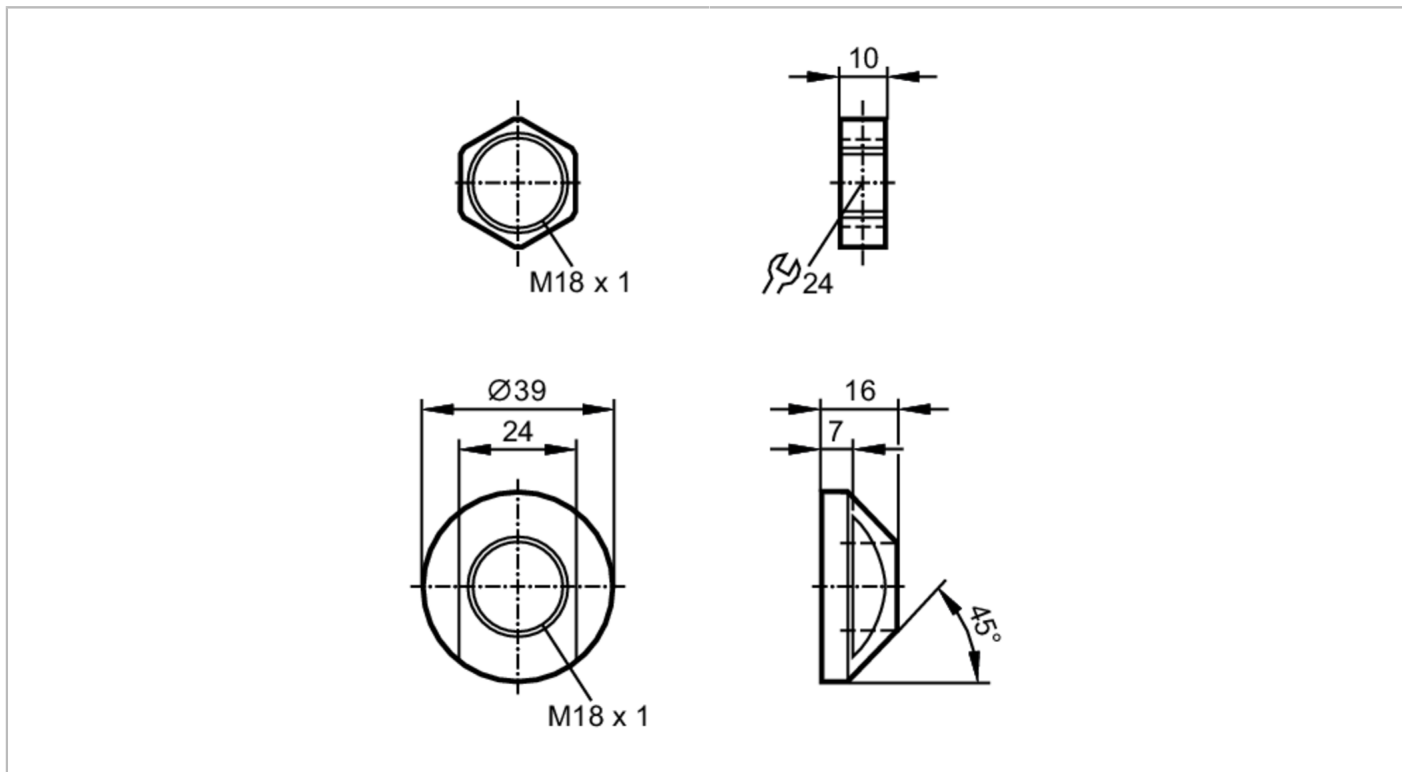


E19503



Hexagon nut for flow plate

NUT M18X1 FOR FLOW PLATE



Mechanical data	
Weight [g]	18.1
Dimensions [mm]	M18 x 1
Thread designation	M18 x 1
Materials	POM
Remarks	
Pack quantity	1 pcs.