

# AC2437

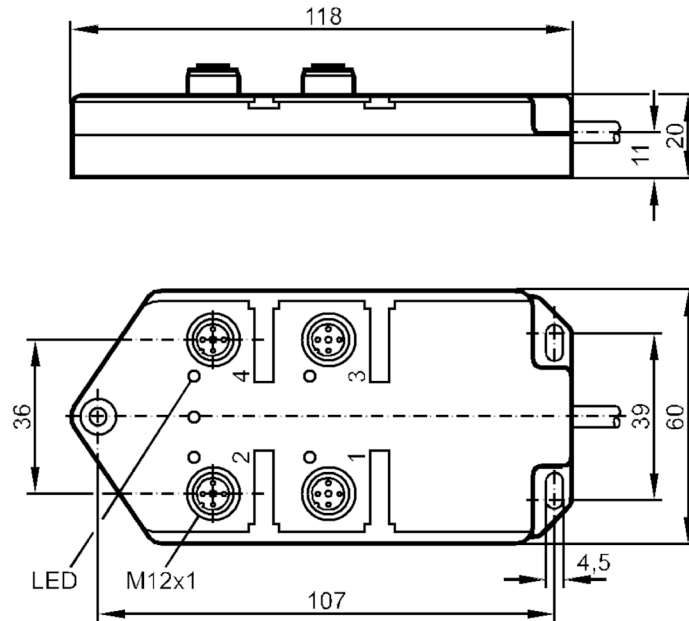


## AS-Interface CompactLine module

Compactmodul aktiv, 4AT PNP 2A

Article no longer available - archive entry

replaced by: AC2465



### Electrical data

Operating voltage	[V]	26.5...31.6 DC
Current consumption	[mA]	< 75
Max. current load total	[A]	4
Integrated watchdog		yes

### Inputs / outputs

Number of inputs and outputs	Number of digital outputs: 4
------------------------------	------------------------------

### Outputs

Electrical design	AS-i
Number of digital outputs	4
Circuit	PNP
Voltage range DC	[V] 10...30; (to PELV; via round cable)
Max. current load per output	[mA] 2000
Short-circuit proof	yes
Electrically separated	yes

### Operating conditions

Ambient temperature	[°C] -25...80
Protection	IP 67

### Tests / approvals

EMC	EN 50295
-----	----------



## AS-Interface CompactLine module

Compactmodul aktiv, 4AT PNP 2A

AS-i classification					
AS-i profile	S-8.0				
AS-i I/O configuration [hex]	8				
AS-i ID code [hex]	0				
AS-i certificate	08901				
Assignment of the data bits	data bit	D0	D1	D2	D3
	socket	O-1	O-2	O-3	O-4
	pin	4	4	4	4

Mechanical data	
Materials	PUR

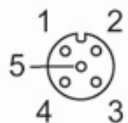
Displays / operating elements		
Display	operation	LED, green
	function	LED, yellow

Remarks	
Pack quantity	1 pcs.

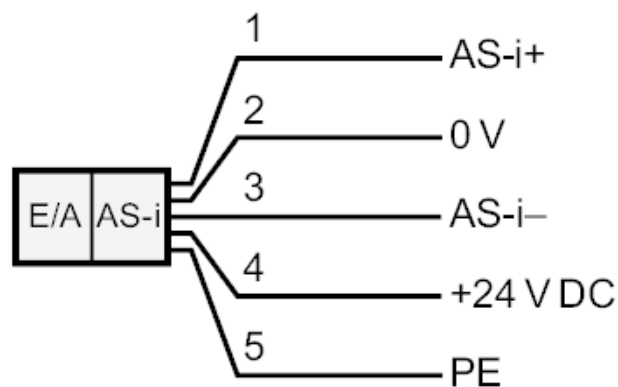
Electrical connection	
Cable: 2 m, PVC; 5 x 1.5 mm <sup>2</sup>	

- 3 external voltage -
- 4 switching output +
- 5 protective earth (PE)

Connector: M12



### Connection



Article no longer available - archive entry

# AC2437

## AS-Interface CompactLine module

Compactmodul aktiv, 4AT PNP 2A



replaced by: AC2465