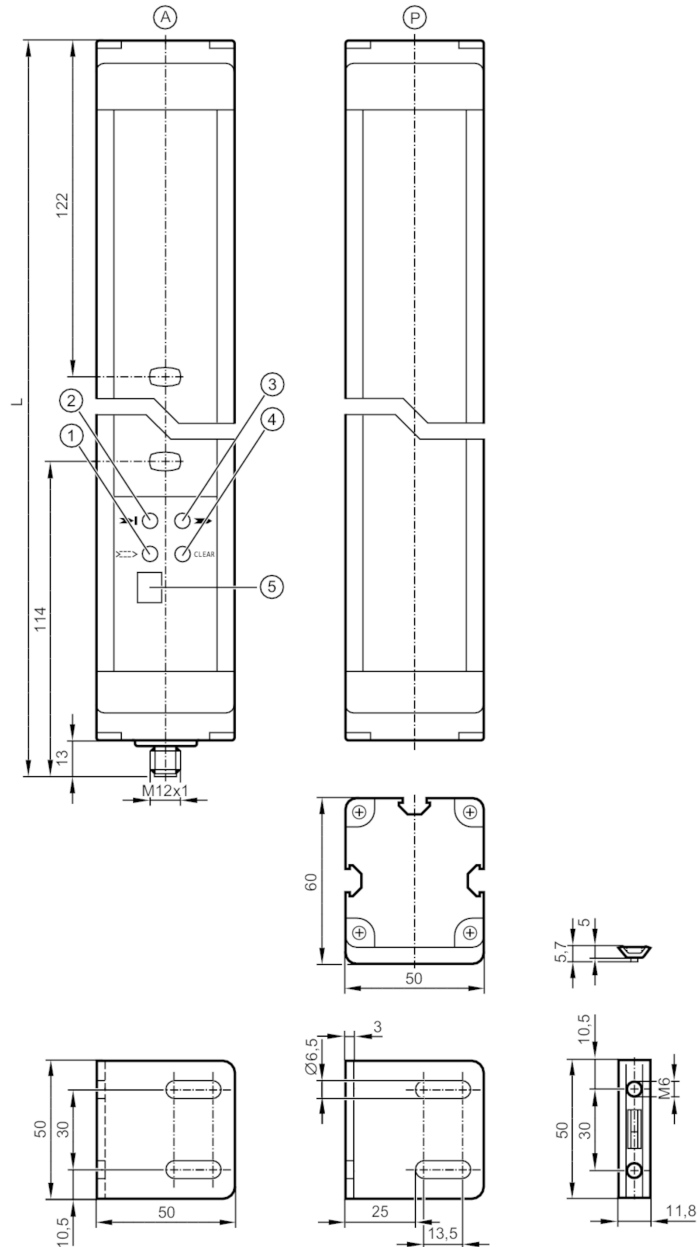


OY903S



Safety light grids

OYD0910-04-4-06-P-1



- A active element
- P passive element
- 1 LED orange
- 2 LED red
- 3 LED green
- 4 LED yellow
- 5 display



Product characteristics

Type of light	infrared light
Dimensions [mm]	1136 x 50 x 60

Application

Protective function	access prevention body protection
---------------------	-----------------------------------



Safety light grids

OYD0910-04-4-06-P-1

Electrical data		
Operating voltage tolerance	[%]	20
Operating voltage	[V]	24 DC
Current consumption	[mA]	250
Protection class		III
Reverse polarity protection		yes
Power-on delay time	[s]	< 10
Type of light		infrared light
Wave length	[nm]	950
Outputs		
Electrical design		PNP
Number of OSSD outputs		2
Max. current load per OSSD output	[mA]	500
Short-circuit protection		yes
Detection zone		
Protected area height	[mm]	910
Number of beams		4
Protection area width (low light intensity)	[m]	0...6
Protection area width (high light intensity)	[m]	0...6
Active/passive system		yes
Response times		
Response time	[ms]	10.5
Operating conditions		
Applications		class C to EN 60654-1 weatherproof application
Ambient temperature	[°C]	-10...55
Max. relative air humidity	[%]	95
Protection		IP 65
Tests / approvals		
EMC		IEC 61496-1
Shock resistance		IEC 61496-1
Vibration resistance		IEC 61496-1
Safety classification		
ESPE type (IEC 61496-1)		4
ISO 13849-1		category 4, PL e
IEC 61508		SIL 3
IEC 62061		SIL cl 3
Mission time TM	[h]	175200
Safety-related reliability PFHD	[1/h]	5.0E-09

OY903S

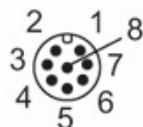


Safety light grids

OYD0910-04-4-06-P-1

Mechanical data		
Weight	[g]	9200
Dimensions	[mm]	1136 x 50 x 60
Materials		housing: aluminium; front lens: PC
Length L	[mm]	1136
Displays / operating elements		
Display	transmitter	4 x LED
	transmitter	LC display
Accessories		
Accessories (supplied)	mounting bracket: 6	
	slot nuts: 6	
Remarks		
Notes	For 8-pole sockets the core colours are not standardised.; Please note the wiring of the sensor and the sockets (see data sheet).	
Pack quantity	1 pcs.	
Electrical connection		

Connector: 1 x M12; Maximum cable length: 100 m; for wire cross-section 1 mm²



OY903S



Safety light grids

OYD0910-04-4-06-P-1

Connection

