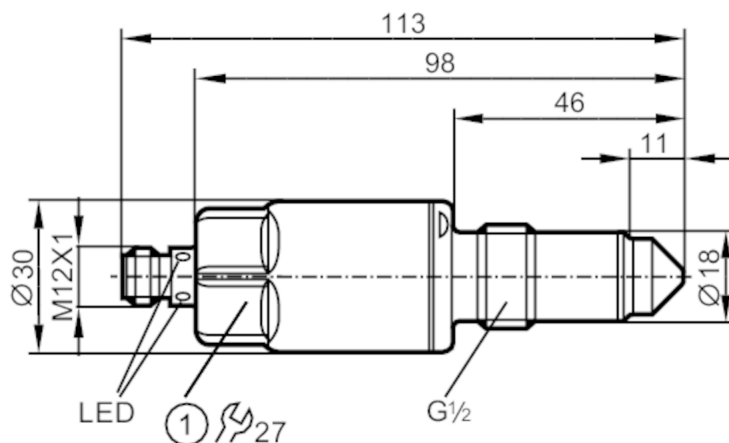


LMT01A



Sensor for point level detection in hazardous areas

LMACE-A12E-QSKG-1/US/3D/3G



1 Tightening torque 20...25 Nm






Product characteristics

Number of inputs and outputs	Number of digital outputs: 2
Factory setting	oils; oil-based media; powder
Process connection	threaded connection G 1/2 sealing cone

Application

Special feature	Gold-plated contacts
Media	Liquids; viscous media; powder
Cannot be used for	See the operating instructions, chapter "Function and features".
Medium temperature [°C]	-20...85
Probe length [mm]	11
Tank pressure [bar]	-1...40

Electrical data

Operating voltage [V]	18...30 DC
Current consumption [mA]	< 50
Protection class	III
Reverse polarity protection	yes
Measuring principle	capacitive

Inputs / outputs

Number of inputs and outputs	Number of digital outputs: 2
------------------------------	------------------------------

LMT01A



Sensor for point level detection in hazardous areas

LMACE-A12E-QSKG-1/US/3D/3G

Outputs		
Total number of outputs		2
Output signal		switching signal; IO-Link
Electrical design		PNP/NPN
Number of digital outputs		2
Output function		normally open / normally closed; (parameterisable)
Max. voltage drop switching output DC	[V]	2.5
Permanent current rating of switching output DC	[mA]	100
Short-circuit protection		yes
Type of short-circuit protection		pulsed
Overload protection		yes
Measuring/setting range		
Factory setting		oils; oil-based media; powder
Response times		
Response time	[s]	< 0.5
Interfaces		
Communication interface		IO-Link
Transmission type		COM2 (38,4 kBaud)
IO-Link revision		1.1
SDCI standard		IEC 61131-9
Profiles		Smart Sensor: Process Data Variable; Device Identification
SIO mode		yes
Required master port type		A
Process data analogue		1
Process data binary		2
Min. process cycle time	[ms]	2.3
Supported DeviceIDs	Type of operation	DeviceID
	Default	305
Operating conditions		
Ambient temperature	[°C]	-20...60
Storage temperature	[°C]	-40...85
Protection		IP 67; (when used outside the hazardous area: IP 68 / IP 69)
Tests / approvals		
ATEX marking	II 3D Ex tc IIIC T90°C Dc X	
	II 3G Ex nA IIC T4 Gc X	
EMC	DIN EN 61000-6-2	
	DIN EN 61000-6-4	open tanks
	DIN EN 61000-6-3	closed tanks
Shock resistance	DIN EN 68000-2-27	50 g (11 ms)
Vibration resistance	DIN EN 68000-2-6	20 g (10...2000 Hz)
MTTF	[years]	223

LMT01A



Sensor for point level detection in hazardous areas

LMACE-A12E-QSKG-1/US/3D/3G

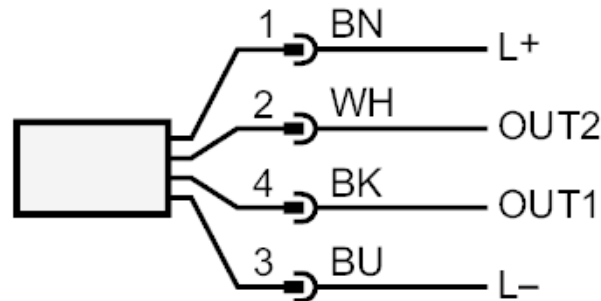
Mechanical data		
Weight	[g]	218
Materials	stainless steel (1.4404 / 316L); PEEK; PEI; FKM	
Materials (wetted parts)	PEEK; surface characteristics: Ra < 0,8 / Rz 4	
Process connection	threaded connection G 1/2 sealing cone	
Displays / operating elements		
Display	switching status	LED, yellow
	operating status	LED, green
Remarks		
Pack quantity	1 pcs.	

Electrical connection

Connector: 1 x M12; Contacts: gold-plated



Connection



OUT1: switching output IO-Link Teach

OUT2: switching output

colours to DIN EN 60947-5-2

Core colours :

BK = black

BN = brown

BU = blue

WH = white