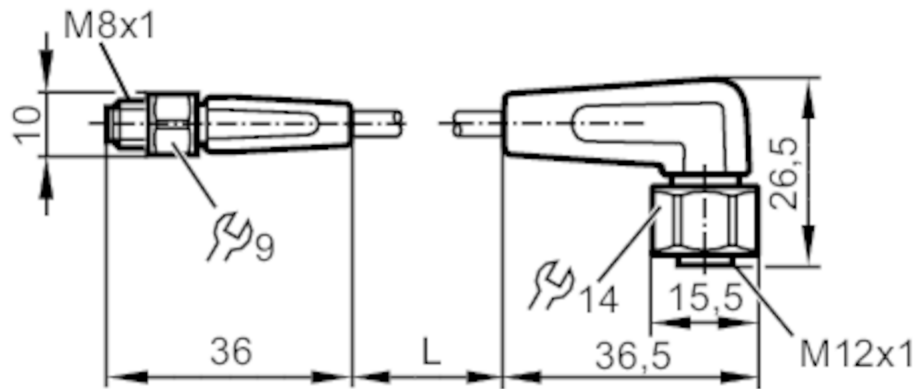


EVT270



Connection cable

VDOAH030VAS0010E03STGF030VAS



Application

| | |
|--------------------|--|
| Special feature | Free from silicone; Gold-plated contacts; Drag chain suitability |
| Application | hygienic and wet areas in the food industry |
| Free from silicone | yes |

Electrical data

| | | |
|-------------------------|-----|-------------------|
| Operating voltage | [V] | < 50 AC / < 60 DC |
| Protection class | | III |
| Max. current load total | [A] | 3 |

Operating conditions

| | | |
|--------------------------------------|------|-----------------------------|
| Ambient temperature | [°C] | -25...80 |
| Note on ambient temperature | | cULus: ...50 |
| Ambient temperature (moving) | [°C] | 5...80 |
| Note on ambient temperature (moving) | | cULus: ...50 |
| Protection | | IP 65; IP 67; IP 68; IP 69K |

EVT270



Connection cable

VDOAH030VAS0010E03STGF030VAS

| Mechanical data | | |
|------------------------|---|--|
| Weight [g] | 363.3 | |
| Dimensions [mm] | 10 x 10 x 36 | |
| Materials | housing: PVC orange; Sealing: EPDM | |
| Material nut | stainless steel (1.4404 / 316L) / stainless steel (1.4404 / 316L) | |
| Drag chain suitability | yes | |
| Drag chain suitability | bending radius for flexible use | min. 10 x cable diameter |
| | travel speed | max. 3.3 m/s for a horizontal travel length of 5 m and max. acceleration of 5 m/s ² |
| | bending cycles | > 1 Mio. |
| | torsional strain | ± 180 °/m |

| Remarks | |
|---------------|--------|
| Pack quantity | 1 pcs. |

Electrical connection - plug

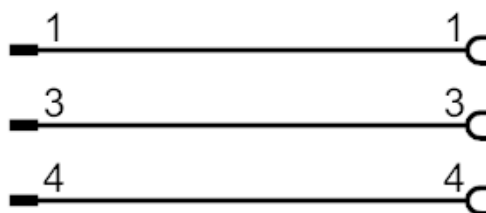
Connector: 1 x M8, straight; Locking: stainless steel (1.4404 / 316L); Contacts: gold-plated; Tightening torque: 0.3...0.5 Nm



Electrical connection

Cable: 10 m, PVC, orange, Ø 4.9 mm; 3 x 0.34 mm² (42 x Ø 0.1 mm)

Connection



Electrical connection - socket

Connector: 1 x M12, angled; Locking: stainless steel (1.4404 / 316L); Contacts: gold-plated; Tightening torque: 0.6...1.5 Nm

EVT270



Connection cable

VDOAH030VAS0010E03STGF030VAS

