

# TN7531

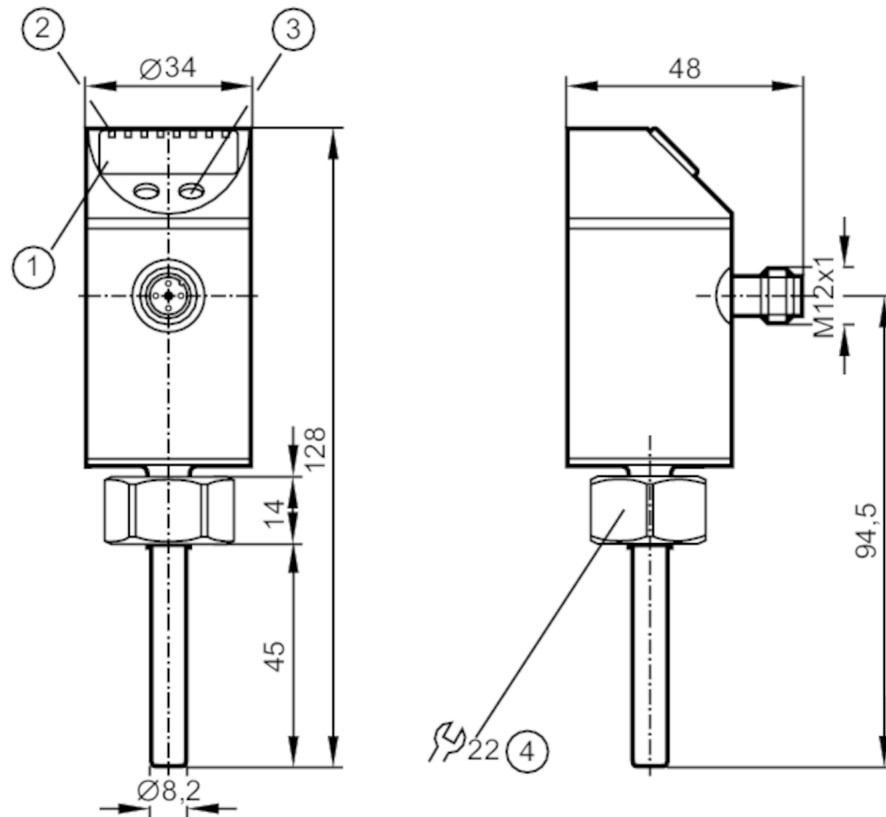


## Temperature sensor with display

TN-013KBBBD10-QFPKG/US/ IV

discontinued article

replaced by: TN7511; discontinued article – Discontinuation date: 31.12.2017



- 1 alphanumeric display 4-digit
- 2 status LEDs
- 3 programming button
- 4 internal thread M18 x 1.5



### Product characteristics

Number of inputs and outputs	Number of digital outputs: 2	
Measuring range	-40...150 °C	-40...302 °F
Process connection	threaded connection M18 x 1,5 internal thread	
Installation length EL [mm]	45	

### Application

Special feature	Gold-plated contacts	
Measuring element	1 x Pt 1000; (to DIN EN 60751, class B)	
Media	liquids and gases	
Pressure rating [bar]	300	
Minimum installation depth [mm]	12	

# TN7531



## Temperature sensor with display

TN-013KBBD10-QFPKG/US/ IV

Electrical data		
Operating voltage [V]	18...32 DC; ("supply class 2" to cULus)	
Current consumption [mA]	< 50	
Protection class	III	
Reverse polarity protection	yes	
Power-on delay time [s]	1	
Integrated watchdog	yes	
Inputs / outputs		
Number of inputs and outputs	Number of digital outputs: 2	
Outputs		
Total number of outputs	2	
Output signal	switching signal; IO-Link; (configurable)	
Electrical design	PNP/NPN	
Number of digital outputs	2	
Output function	normally open / normally closed; (parameterisable)	
Max. voltage drop switching output DC [V]	2	
Permanent current rating of switching output DC [mA]	250	
Short-circuit protection	yes	
Type of short-circuit protection	pulsed	
Overload protection	yes	
Measuring/setting range		
Probe length L [mm]	45	
Measuring range	-40...150 °C	-40...302 °F
Set point SP	-39.5...150 °C	-39...302 °F
Reset point rP	-40...149.5 °C	-40...301 °F
In steps of	0.1 °C	0.1 °F
Resolution		
Resolution of switching output [K]	0.1	
Resolution of display [K]	0.1	
Accuracy / deviations		
Switch point accuracy [K]	± 0,3	
Display accuracy [K]	± 0,3	
Temperature drift per 10 K [K]	0.1	
Response times		
Dynamic response T05 / T09 [s]	1 / 3; (to DIN EN 60751)	
Interfaces		
Communication interface	IO-Link	
Transmission type	COM2 (38,4 kBaud)	
IO-Link revision	1.0	

# TN7531



## Temperature sensor with display

TN-013KBBD10-QFPKG/US/ IV

Operating conditions		
Ambient temperature	[°C]	-25...70
Storage temperature	[°C]	-40...100
Protection		IP 67
Tests / approvals		
EMC	DIN EN 61000-4-2 ESD	4 kV CD / 8 kV AD
	EN 61000-4-3 HF radiated	10 V/m
	DIN EN 61000-4-4 Burst	2 kV
	DIN EN 61000-4-5 Surge	1 kV
	EN 61000-4-6 HF conducted	10 V
Shock resistance	DIN IEC 68-2-27	50 g (11 ms)
Vibration resistance	DIN EN 60068-2-6	20 g (10...2000 Hz)
MTTF	[years]	242
Mechanical data		
Weight	[g]	212.6
Housing		for adapter
Materials		stainless steel (1.4301 / 304); EPDM/X; CO-PC; PBT; FKM; PA
Materials (wetted parts)		stainless steel (1.4404 / 316L); O-ring: FKM 80 Shore A
Process connection		threaded connection M18 x 1,5 internal thread
Installation length EL	[mm]	45
Displays / operating elements		
Display	Display unit	2 x LED, green
	switching status	2 x LED, yellow
	measured values	alphanumeric display, 4-digit
	programming	alphanumeric display, 4-digit
Remarks		
Remarks		The values for accuracy apply to flowing water.
Notes		discontinued article
Pack quantity		1 pcs.

### Electrical connection

Connector: 1 x M12; Contacts: gold-plated



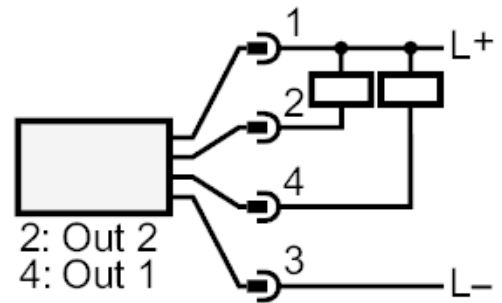
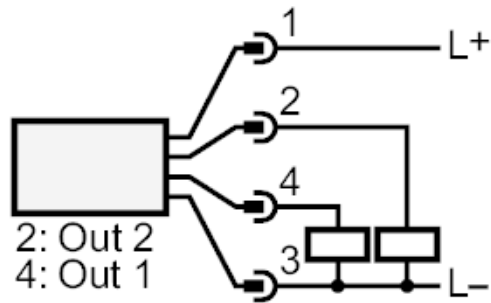
# TN7531



## Temperature sensor with display

TN-013KBBD10-QFPKG/US/ IV

### Connection



discontinued article

replaced by: TN7511; discontinued article – Discontinuation date: 31.12.2017