

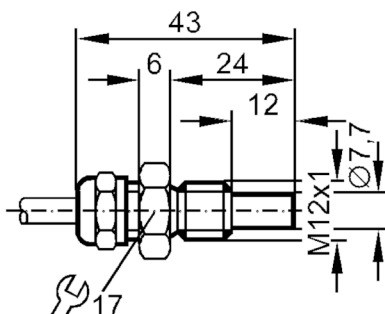
ST1210



Flow sensor for connection to an evaluation unit

STM12ABBE1

Article no longer available - archive entry



Product characteristics

Process connection M12 x 1

Application

Application Ex zone 1

Medium temperature [°C] -25...80

Pressure rating [bar] 30

Liquids

Application Ex zone 1

Medium temperature [°C] -25...80

Gases

Medium temperature [°C] -25...80

Electrical data

Connection to control monitor VS 0100 Ex

Measuring/setting range

Liquids

Setting range [cm/s] 3...300

Greatest sensitivity [cm/s] 3...60

Gases

Setting range [cm/s] 5...1500

Accuracy / deviations

Temperature gradient [K/min] 15

Response times

Response time [s] 1...10

Liquids

Response time [s] 1...10

Gases

Response time [s] 1...10

Operating conditions

Protection IP 67

ST1210



Flow sensor for connection to an evaluation unit

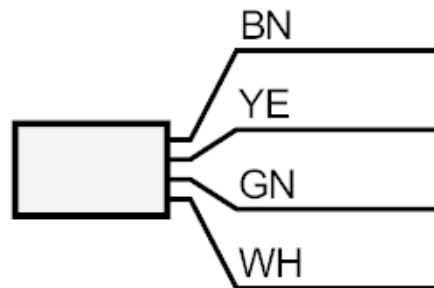
STM12ABBE1

Mechanical data	
Housing	threaded type
Dimensions [mm]	M12 x 1 / L = 43
Thread designation	M12 x 1
Materials	stainless steel (1.4571/316Ti)
Process connection	M12 x 1

Remarks	
Pack quantity	1 pcs.

Electrical connection
Cable: 2 m, Silflex-PUR; Maximum cable length: 100 m; 4 x 0.25 mm ²

Connection



Core colours :

BN =	brown
GN =	green
WH =	white
YE =	yellow