

SR0100

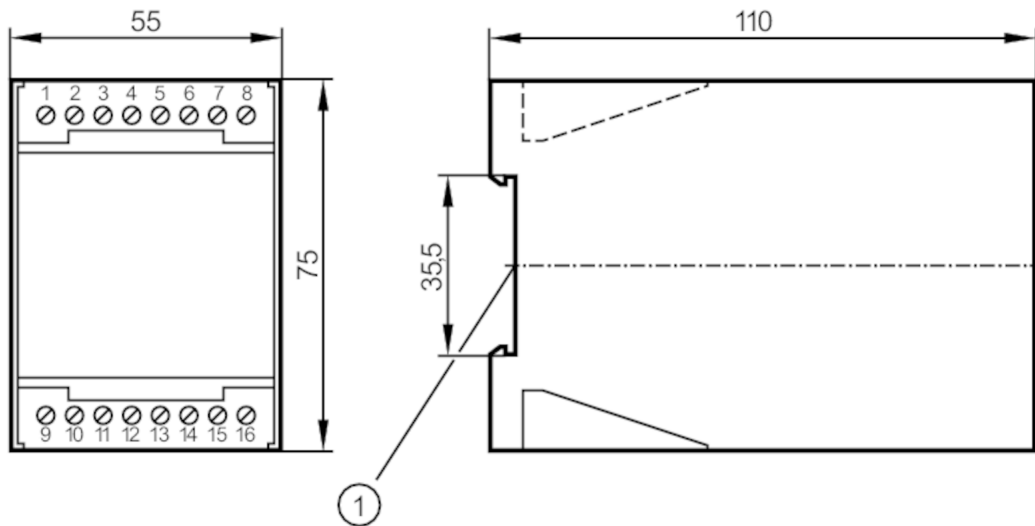


Control monitor for flow sensors

VS0200/ 24VDC

Article no longer available - archive entry

replaced by: SR0150



1 mounting on DIN rail



Application

Application Flow monitoring

Electrical data

Operating voltage tolerance	[%]	-10...10
Operating voltage	[V]	24 DC
Current consumption	[mA]	60
Power-on delay time	[s]	30
Number of channels		1

Outputs

Electrical design	relay
Contact rating	4 A, 250 V AC
Switching function flow monitoring	relay energised when flow is present

Software / programming

Adjustment of the switch point	potentiometer
Selection liquids / gases	slide switch

Operating conditions

Ambient temperature	[°C]	0...60
Protection		IP 40
Protection rating terminals		IP 20

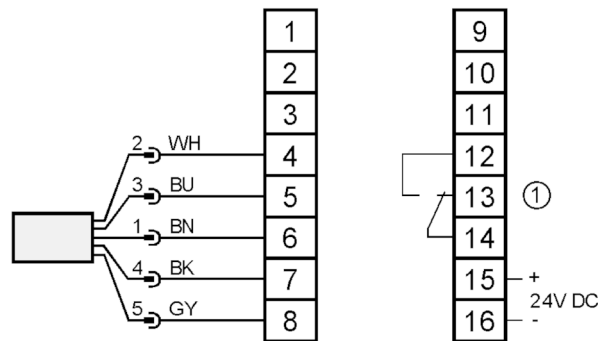
SR0100



Control monitor for flow sensors

VS0200/ 24VDC

Mechanical data		
Housing	housing for DIN rail mounting	
Dimensions [mm]	75 x 55 x 110	
Materials	plastics	
Displays / operating elements		
Display	function	11 x LED
Remarks		
Pack quantity	1 pcs.	
Electrical connection		
terminals: 16 x ...2.5 mm ²		
Connection		



- 1: Relais Flow monitoring
Core colours :
- BN = brown
BU = blue
BK = black
WH = white
GY = grey

Article no longer available - archive entry

replaced by: SR0150