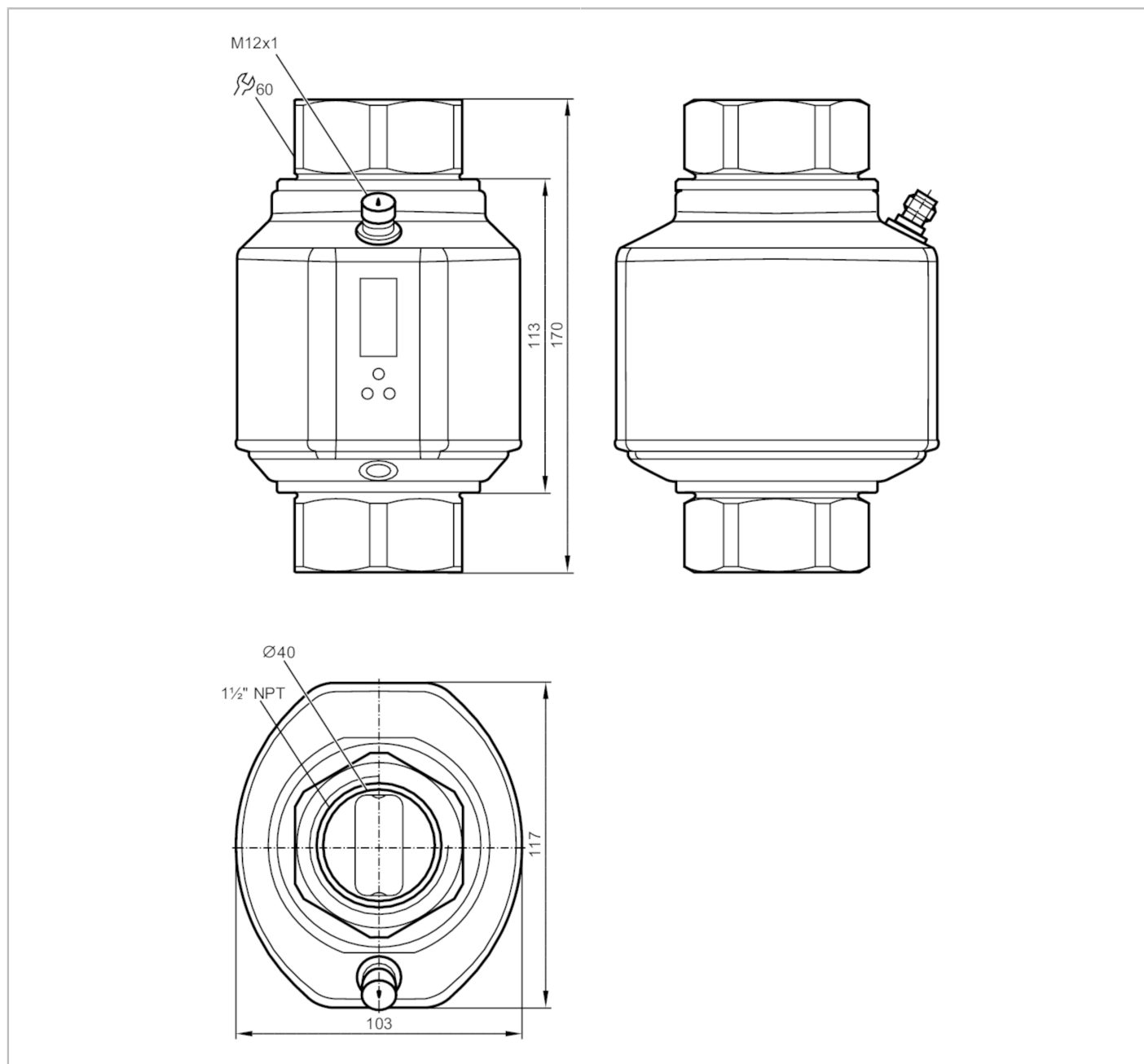


# SM9604



## Magnetic-inductive flow meter

SMN32XGX50KG/US-100



### Product characteristics

Number of inputs and outputs	Number of analogue outputs: 2			
Measuring range	5...300 l/min	0.3...18 m <sup>3</sup> /h	80...4755 gph	1.3...79.3 gpm
Process connection	threaded connection 1 1/2 NPT DN40			

# SM9604



## Magnetic-inductive flow meter

SMN32XGX50KG/US-100

Application				
Special feature	Gold-plated contacts			
Application	empty pipe detection; for industrial applications			
Media	conductive liquids; water; hydrous media			
Note on media	conductivity: $\geq 20 \mu\text{S/cm}$ viscosity: $< 70 \text{ mm}^2/\text{s}$ (40 °C)			
Medium temperature	-10...70 °C		14...158 °F	
Pressure rating [bar]	16			
Pressure rating [psi]	232			
MAWP (for applications according to CRN) [bar]	16.5			
Electrical data				
Operating voltage [V]	18...32 DC; (according to EN 50178 SELV/PELV)			
Current consumption [mA]	< 150			
Protection class	III			
Reverse polarity protection	yes			
Power-on delay time [s]	5			
Inputs / outputs				
Number of inputs and outputs	Number of analogue outputs: 2			
Outputs				
Total number of outputs	2			
Output signal	analogue signal			
Number of analogue outputs	2			
Analogue current output [mA]	4...20; ( $\leq 22 \text{ mA}$ )			
Max. load [ $\Omega$ ]	500			
Measuring/setting range				
Measuring range	5...300 l/min	0.3...18 m <sup>3</sup> /h	80...4755 gph	1.3...79.3 gpm
Display range	-360...360 l/min	-21.6...21.6 m <sup>3</sup> /h	-5705...5705 gph	-95.1...95.1 gpm
Resolution	0.5 l/min	0.02 m <sup>3</sup> /h	5 gph	0.1 gpm
Analogue start point ASP	0...240 l/min	0...14.4 m <sup>3</sup> /h	0...3800 gph	0...63.4 gpm
Analogue end point AEP	60...300 l/min	3.6...18 m <sup>3</sup> /h	955...4755 gph	15.9...79.3 gpm
Low flow cut-off LFC	< 15 l/min	< 0.9 m <sup>3</sup> /h	< 240 gph	< 4 gpm
In steps of	0.5 l/min	0.02 m <sup>3</sup> /h	5 gph	0.1 gpm
Measuring dynamics	1:60			
Temperature monitoring				
Measuring range	-20...80 °C		-4...176 °F	
Display range	-40...100 °C		-40...212 °F	
Resolution	0.2 °C		0.5 °F	
Analogue start point	-20...60 °C		-4...140 °F	
Analogue end point	0...80 °C		32...176 °F	
In steps of	0.2 °C		0.5 °F	

# SM9604



## Magnetic-inductive flow meter

SMN32XGX50KG/US-100

Accuracy / deviations		
Flow monitoring		
Accuracy (in the measuring range)	$\pm (0,8 \% \text{ MW} + 0,5 \% \text{ MEW})$	
Repeatability	$\pm 0,2\% \text{ MEW}$	
Temperature monitoring		
Temperature drift	$\pm 0,0333 \text{ }^\circ\text{C} / \text{K}; \pm 0,0599 \text{ }^\circ\text{F} / \text{K}$	
Accuracy [K]	$\pm 1 (25 \text{ }^\circ\text{C}; Q > 15 \text{ l/min}) / \pm 1 (77 \text{ }^\circ\text{F}; Q > 4 \text{ gpm})$	
Response times		
Flow monitoring		
Response time [s]	0.35; (dAP = 0)	
Damping for the switching output dAP [s]	0...5	
Temperature monitoring		
Dynamic response T05 / T09 [s]	T09 = 3 (Q > 15 l/min) / T09 = 3 (Q > 4 gpm)	
Software / programming		
Parameter setting options	display can be deactivated; Display unit; empty pipe detection	
Operating conditions		
Ambient temperature	-10...60 °C	14...140 °F
Storage temperature	-25...80 °C	-13...176 °F
Protection	IP 65; IP 67	
Tests / approvals		
EMC	DIN EN 60947-5-9	
	DIN EN 61000-6-2	
Shock resistance	DIN EN 60068-2-27	20 g (11 ms)
Vibration resistance	DIN EN 60068-2-6	5 g (10...2000 Hz)
MTTF [years]	78	
Pressure Equipment Directive	Sound engineering practice; can be used for group 2 fluids; group 1 fluids on request	
Mechanical data		
Weight [g]	2745	
Materials	stainless steel (1.4404 / 316L); stainless steel (1.4571/316Ti); PEI; FKM; PBT-GF20; TPE-U	
Materials (wetted parts)	stainless steel (1.4404 / 316L); stainless steel (1.4571/316Ti); PEEK; FKM	
Process connection	threaded connection 1 1/2 NPT DN40	
Displays / operating elements		
Display	Display unit	6 x LED, green (l/min, m <sup>3</sup> /h, gpm, gph, °C, °F)
	function display	1 x LED, yellow (10 <sup>3</sup> )
	measured values	alphanumeric display, 4-digit
	programming	alphanumeric display, 4-digit
Display unit	l/min; m <sup>3</sup> /h; gpm; gph; °C; °F	
Accessories		
Accessories (supplied)	Label	

# SM9604



## Magnetic-inductive flow meter

SMN32XGX50KG/US-100

### Remarks

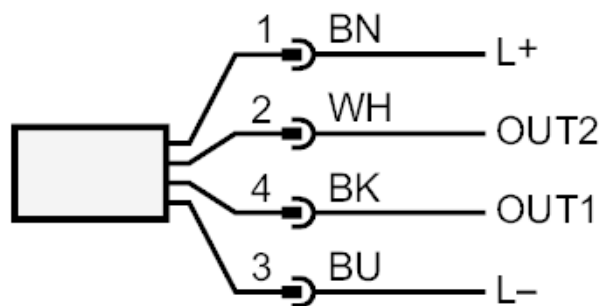
Remarks	MW = measured value
	MEW = Final value of the measuring range
Pack quantity	1 pcs.

### Electrical connection

Connector: 1 x M12; Contacts: gold-plated



### Connection



colours to DIN EN 60947-5-2

- OUT1: analogue output Temperature monitoring
- OUT2: analogue output volumetric flow quantity monitoring

Core colours :

- BK = black
- BN = brown
- BU = blue
- WH = white

# SM9604



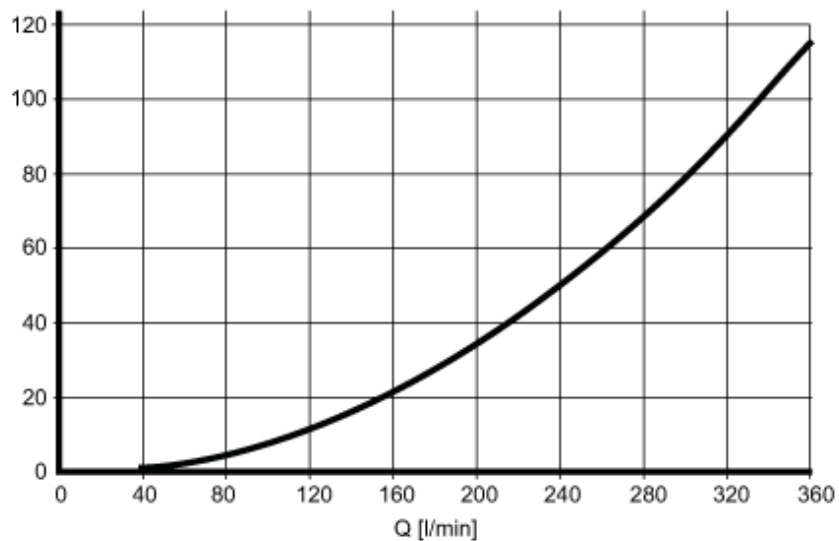
## Magnetic-inductive flow meter

SMN32XGX50KG/US-100

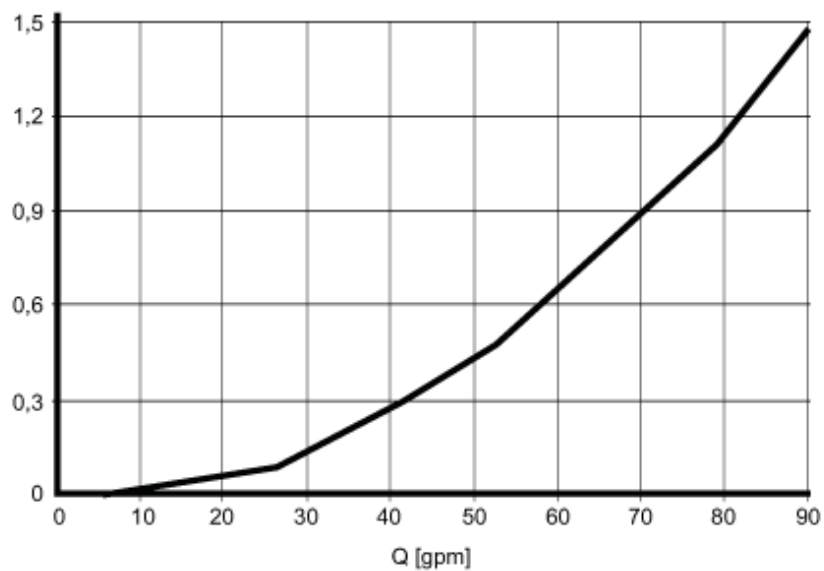
### Diagrams and graphs

#### Pressure loss

dP [mbar] DN50



dP [psi]



dP Pressure loss

Q volumetric flow quantity