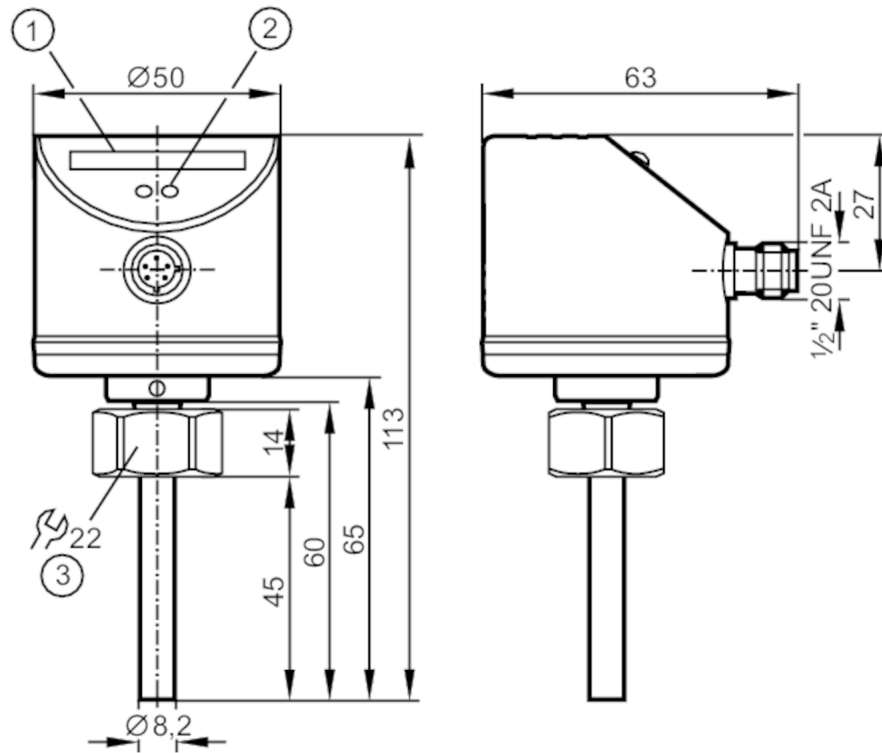


SI5006



Flow monitor

SID10ADBFKOW/LS-100-IRF



- 1 LED bar display
- 2 setting pushbutton
- 3 Tightening torque 25 Nm



Product characteristics

Number of inputs and outputs	Number of digital outputs: 1
Process connection	M18 x 1,5 internal thread

Application

Media	Liquids; Gases
Medium temperature [°C]	-25...80
Pressure rating [bar]	300
MAWP (for applications according to CRN) [bar]	208

Liquids

Medium temperature [°C]	-25...80
-------------------------	----------

Gases

Medium temperature [°C]	-25...80
-------------------------	----------

SI5006



Flow monitor

SID10ADBFKOW/LS-100-IRF

Electrical data		
Operating voltage tolerance	[%]	-15...10
Nominal voltage AC	[V]	90...240
Nominal frequency AC	[Hz]	47...63
Max. power consumption	[VA]	3.5
Protection class		II
Reverse polarity protection		no
Power-on delay time	[s]	10
Inputs / outputs		
Number of inputs and outputs		Number of digital outputs: 1
Outputs		
Total number of outputs		1
Output signal		switching signal
Electrical design		relay
Number of digital outputs		1
Output function		normally open / normally closed; (parameterisable)
Contact rating		3 A (250 V AC / 30 V DC); (number of switching cycles: 20 million mechanically; switching cycles at 3 A load: 100,000 electrical; type of switch-off: normally open)
Short-circuit proof		no
Overload protection		no
Measuring/setting range		
Liquids		
Setting range	[cm/s]	3...300
Greatest sensitivity	[cm/s]	3...100
Gases		
Setting range	[cm/s]	200...3000
Greatest sensitivity	[cm/s]	200...800
Accuracy / deviations		
Repeatability	[% of Sr]	1...5
Note on repeatability		for water 5...100 cm/s; 25 °C Factory setting
Temperature drift	[cm/s x 1/K]	0.1; (for water 5...100 cm/s; 10...70 °C)
Temperature gradient	[K/min]	300
Switch point accuracy	[cm/s]	± 2...± 10; (for water 5...100 cm/s; 25 °C; Factory setting)
Hysteresis	[cm/s]	2...5; (for water 5...100 cm/s; 25 °C; Factory setting)
Response times		
Response time	[s]	1...10
Liquids		
Response time	[s]	1...10
Gases		
Response time	[s]	1...10

SI5006



Flow monitor

SID10ADBFKOW/LS-100-IRF

Software / programming		
Adjustment of the switch point		pushbutton
Operating conditions		
Ambient temperature	[°C]	-25...80
Storage temperature	[°C]	-25...100
Protection		IP 67
Tests / approvals		
EMC	DIN EN 61000-6-2	
	DIN EN 61000-6-3	
Shock resistance	DIN EN 60068-2-27	50 g (11 ms)
Vibration resistance	DIN EN 60068-2-6	20 g (55...2000 Hz)
MTTF	[years]	221
Mechanical data		
Weight	[g]	262.5
Dimensions	[mm]	M18 x 1.5
Thread designation		M18 x 1.5
Materials	stainless steel (1.4404 / 316L); stainless steel (1.4301 / 304); PC; PBT-GF20; EPDM/X	
Materials (wetted parts)	stainless steel (1.4404 / 316L); O-ring: FKM 80 Shore A	
Process connection	M18 x 1,5 internal thread	
Displays / operating elements		
Display	function	10 x LED, three-colour
Electrical connection		
Required protection	miniature fuse to IEC60127-2 sheet 1; ≤ 5 A; fast acting	
Remarks		
Remarks	Recommendation Check the safe functioning of the unit after a short circuit.	
Pack quantity	1 pcs.	

Electrical connection

Connector: 1 x 1/2"



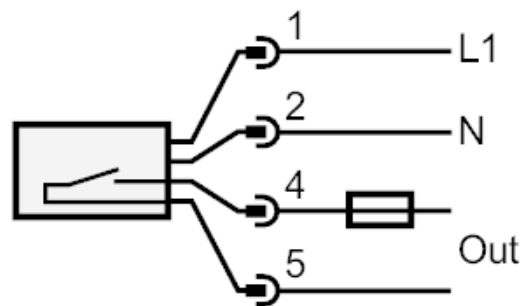
SI5006



Flow monitor

SID10ADBFKOW/LS-100-IRF

Connection



Note miniature fuse to IEC60127-2 sheet 1 ≤ 5 A fast acting