

SF3005



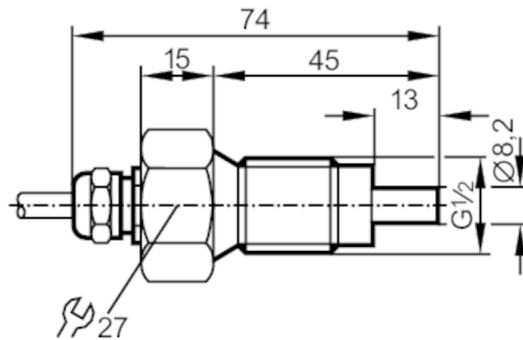
Flow sensor for connection to an evaluation unit

SFR12ADB

Article no longer available - archive entry

Alternative articles: SF5350 + E40096

When selecting an alternative article and accessories please note that technical data may differ!



Product characteristics

Process connection G 1/2 external thread

Application

Application high pressure
 Media Liquids; Gases
 Medium temperature [°C] -25...80
 Pressure rating [bar] 300

Liquids

Application high pressure
 Medium temperature [°C] -25...80

Gases

Medium temperature [°C] -25...80

Electrical data

Connection to control monitor VS 0200

Measuring/setting range

Liquids

Setting range [cm/s] 3...300
 Greatest sensitivity [cm/s] 3...60

Gases

Setting range [cm/s] 200...2000
 Greatest sensitivity [cm/s] 200...800

Accuracy / deviations

Temperature gradient [K/min] 15

Response times

Response time [s] 1...10

Liquids

Response time [s] 1...10

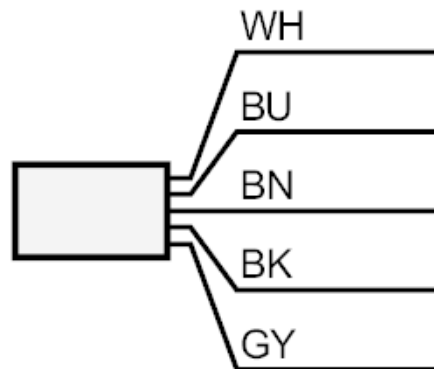
SF3005



Flow sensor for connection to an evaluation unit

SFR12ADB

Gases		
Response time	[s]	1...10
Operating conditions		
Protection		IP 67
Tests / approvals		
Shock resistance	DIN IEC 68-2-27	40 g (11 ms)
Vibration resistance	DIN IEC 68-2-6	10 g (55...2000 Hz)
Mechanical data		
Housing		threaded type
Materials		stainless steel (1.4571/316Ti)
Materials (wetted parts)		stainless steel (1.4571/316Ti)
Process connection		G 1/2 external thread
Remarks		
Pack quantity		1 pcs.
Electrical connection		
Cable: 2 m, PUR; Maximum cable length: 100 m; 5 x 0.34 mm ² , PVC		
Connection		



Core colours :

BN =	brown
BU =	blue
BK =	black
WH =	white
GY =	grey