

RV6140

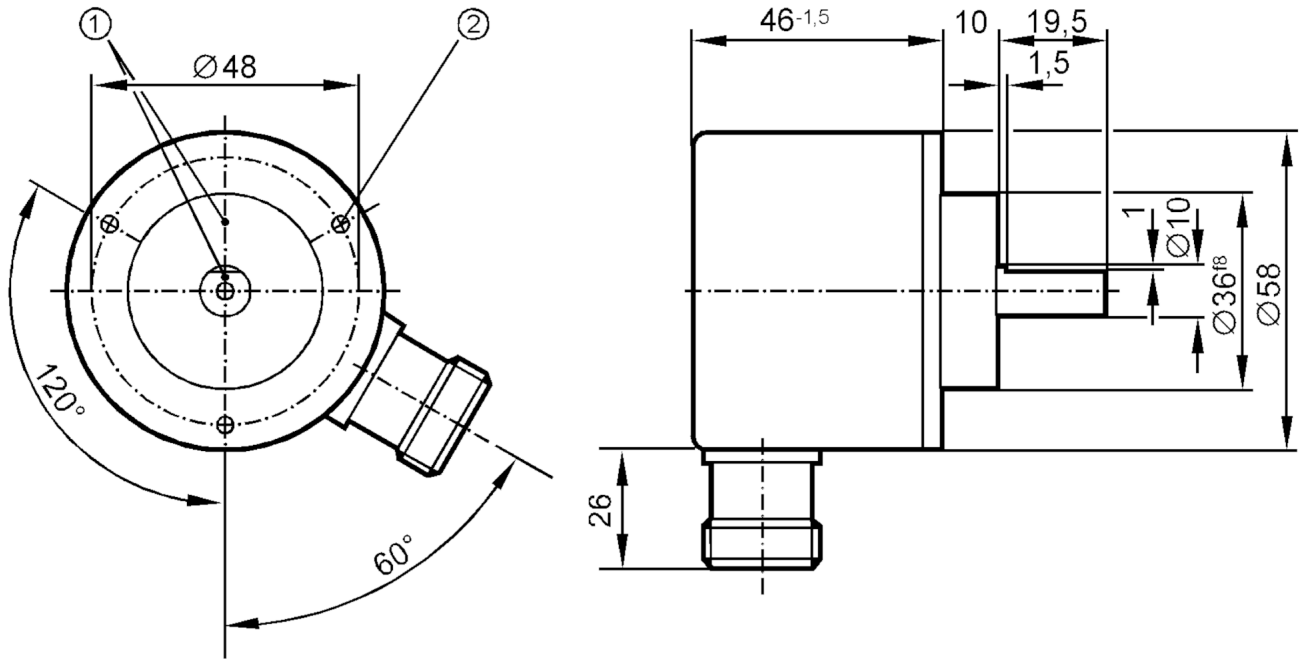


Incremental encoder with solid shaft

RV-1024-I24/K

Article no longer available - archive entry

Alternative article: RVP510+E12460 When selecting an alternative article and accessories please note that technical data may differ! – When selecting an alternative article and accessories please note that technical data may differ! – Discontinuation date: 31.03.2016



- 1 reference mark
- 2 M3 Depth 5 mm



Product characteristics

Resolution	1024 resolution
Shaft design	solid shaft
Shaft diameter [mm]	10

Application

Function principle	incremental
--------------------	-------------

Electrical data

Operating voltage [V]	10...30 DC
Current consumption [mA]	150

Outputs

Electrical design	HTL
Max. current load per output [mA]	50
Switching frequency [kHz]	160
Type of short-circuit protection	< 60 s
Phase difference A and B [°]	90

Measuring/setting range

Resolution	1024 resolution
------------	-----------------

RV6140



Incremental encoder with solid shaft

RV-1024-I24/K

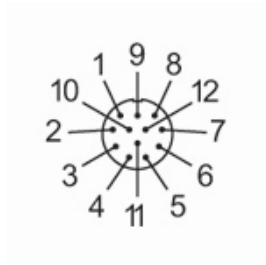
Operating conditions		
Ambient temperature	[°C]	-30...85
Storage temperature	[°C]	-30...100
Max. relative air humidity	[%]	98
Protection		IP 64
Tests / approvals		
Shock resistance		100 g (6 ms)
Vibration resistance		15 g (55...2000 Hz)
MTTF	[years]	190
Mechanical data		
Weight	[g]	392
Materials		aluminium
Max. revolution, mechanical	[U/min]	12000
Max. starting torque	[Nm]	1
Reference temperature torque	[°C]	20
Shaft design		solid shaft
Shaft diameter	[mm]	10
Shaft material		steel (1.4104)
Max. shaft load axial (at the shaft end)	[N]	10
Max. shaft load radial (at the shaft end)	[N]	20
Remarks		
Notes		discontinued article
Electrical connection		
1	B inverted	
2	L+ sensor	
3	0 index	
4	0 index inverted	
5	A	
6	A inverted	
7	failure inverted	
8	B	
9	n.c.	
10	0V	
11	0V sensor	
12	L+	
Connector: 1 x M23 (ifm 1001.4), radial		

RV6140



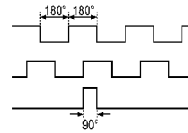
Incremental encoder with solid shaft

RV-1024-I24/K



Diagrams and graphs

Pulse diagram



Output A

Output B

0 index

Article no longer available - archive entry

Alternative article: RVP510+E12460 When selecting an alternative article and accessories please note that technical data may differ! – When selecting an alternative article and accessories please note that technical data may differ! – Discontinuation date: 31.03.2016