

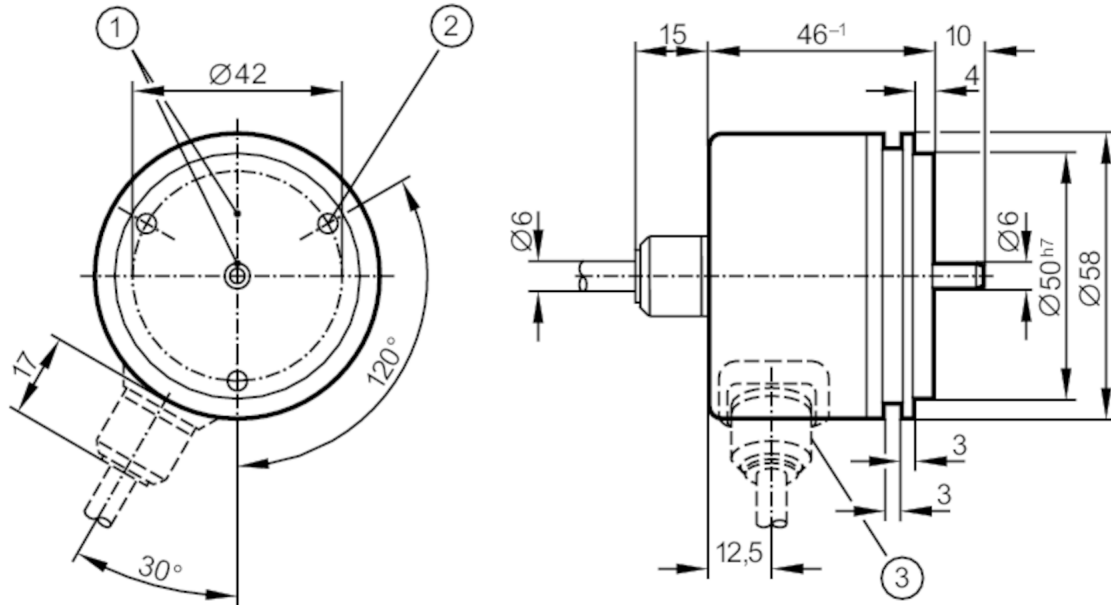
RU1182



Incremental encoder with solid shaft

RU-1024-I05/S1E

Article no longer available - archive entry



- 1 reference mark
- 2 M4 Depth 5 mm



Product characteristics

Resolution	2500 resolution
Shaft design	solid shaft
Shaft diameter [mm]	6

Electrical data

Operating voltage tolerance [%]	10
Operating voltage [V]	5 DC
Current consumption [mA]	150

Outputs

Electrical design	TTL
Max. current load per output [mA]	20
Switching frequency [kHz]	300
Phase difference A and B [°]	90

Measuring/setting range

Resolution	2500 resolution
------------	-----------------

Operating conditions

Ambient temperature [°C]	-30...100
Note on ambient temperature	for firmly laid cable: -30 °C
Storage temperature [°C]	-30...100
Max. relative air humidity [%]	98
Protection	IP 66



Incremental encoder with solid shaft

RU-1024-I05/S1E

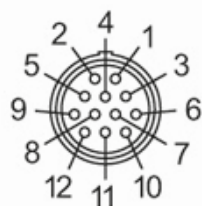
Tests / approvals	
Shock resistance	100 g (6 ms)
Vibration resistance	10 g (55...2000 Hz)
Mechanical data	
Dimensions [mm]	Ø 58 / L = 46
Materials	aluminium
Max. revolution, mechanical [U/min]	12000
Max. starting torque [Nm]	1
Reference temperature torque [°C]	20
Shaft design	solid shaft
Shaft diameter [mm]	6
Shaft material	steel (1.4104)
Max. shaft load axial (at the shaft end) [N]	10
Max. shaft load radial (at the shaft end) [N]	20
Fixing flange	synchro-flange

Electrical connection

Cable: 1 m, PUR; axial

pin 1	A
pin 2	A inverted
pin 3	B
pin 4	B inverted
pin 5	L+ sensor
pin 6	0 index
pin 7	0 index inverted
pin 9	+5V (Up)
pin 10	0V sensor
pin 11	housing
pin 12	0V

Connector: 1 x Bajonett (ifm 1000.2)



RU1182

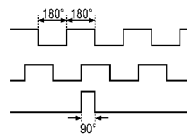


Incremental encoder with solid shaft

RU-1024-I05/S1E

Diagrams and graphs

Pulse diagram



Output A

Output B

0 index

[Article no longer available - archive entry](#)