

RO6341

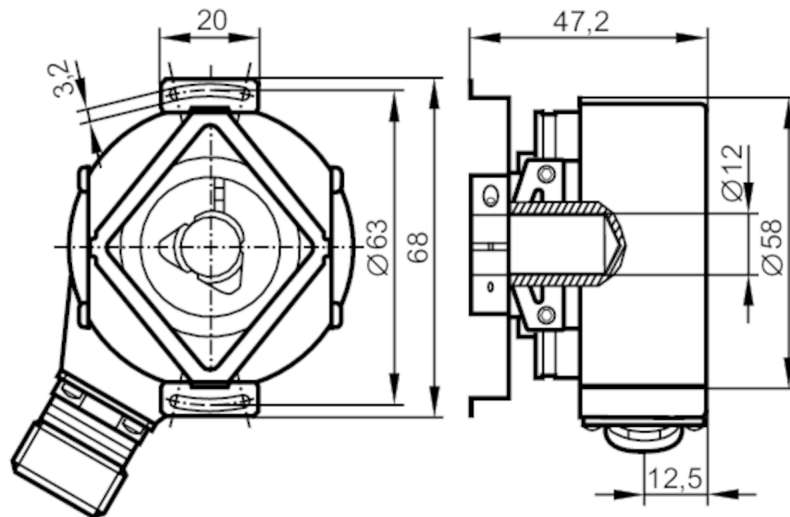


Incremental encoder with hollow shaft

RO-0360-I24/T U

Article no longer available - archive entry

Discontinuation date: 31.03.2016



Product characteristics

Resolution	360 resolution
Shaft design	hollow shaft open to one side
Shaft diameter [mm]	12

Application

Function principle	incremental
--------------------	-------------

Electrical data

Operating voltage [V]	10...30 DC
Current consumption [mA]	< 200

Outputs

Electrical design	HTL
Max. current load per output [mA]	50
Switching frequency [kHz]	300
Type of short-circuit protection	< 60 s
Phase difference A and B [°]	90

Measuring/setting range

Resolution	360 resolution
------------	----------------

Operating conditions

Ambient temperature [°C]	-40...100
Max. relative air humidity [%]	98
Protection	IP 64; (on the housing: IP 67; on the shaft: IP 64)

RO6341



Incremental encoder with hollow shaft

RO-0360-I24/T U

Tests / approvals

Shock resistance		100 g (6 ms)
Vibration resistance		10 g (55...2000 Hz)
MTTF	[years]	190

Mechanical data

Weight	[g]	405
Dimensions	[mm]	Ø 58 / L = 47.2
Materials		aluminium
Max. revolution, mechanical	[U/min]	12000
Max. starting torque	[Nm]	1
Reference temperature torque	[°C]	20
Shaft design		hollow shaft open to one side
Shaft diameter	[mm]	12
Shaft fit		H7
Shaft material		stainless steel
Installation depth of shaft	[mm]	10
Max. axial shaft misalignment	[mm]	1; (max. radial shaft alignment: ± 0,05 mm)

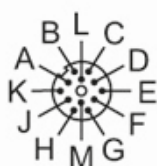
Remarks

Notes	discontinued article
-------	----------------------

Electrical connection

A	B inverted
B	Ub sensor
C	0 index
D	0 index inverted
E	A
F	A inverted
G	failure inverted
H	B
K	0V Un
L	0V sensor
M	L+ Up
screen	housing

Connector: 1 x M18 (ifm 1001.20), radial



RO6341

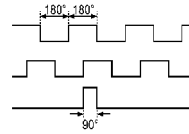


Incremental encoder with hollow shaft

RO-0360-I24/T U

Diagrams and graphs

Pulse diagram



Output A

Output B

0 index

Article no longer available - archive entry

Discontinuation date: 31.03.2016