

RO1366

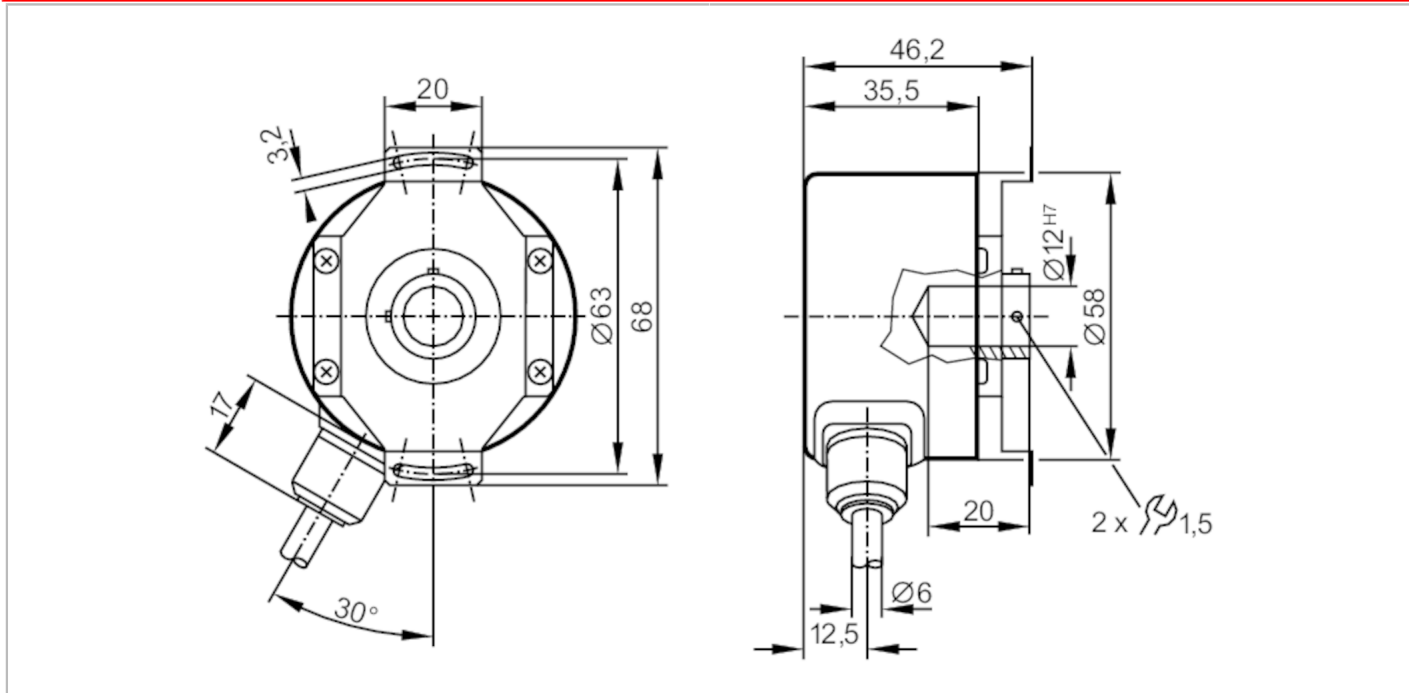


Incremental encoder with hollow shaft

RO-3600-I05/N1U

Article no longer available - archive entry

Alternative article: RO3501 When selecting an alternative article and accessories please note that technical data may differ! –
 When selecting an alternative article and accessories please note that technical data may differ! – Discontinuation date: 31.03.2016



Product characteristics	
Resolution	3600 resolution
Shaft design	hollow shaft open to one side
Shaft diameter [mm]	12
Electrical data	
Operating voltage tolerance [%]	10
Operating voltage [V]	5 DC
Current consumption [mA]	< 150
Outputs	
Electrical design	TTL
Max. current load per output [mA]	20
Switching frequency [kHz]	300
Phase difference A and B [°]	90
Measuring/setting range	
Resolution	3600 resolution
Operating conditions	
Ambient temperature [°C]	-30...100
Storage temperature [°C]	-30...100
Max. relative air humidity [%]	98
Protection	IP 64

RO1366



Incremental encoder with hollow shaft

RO-3600-I05/N1U

Tests / approvals	
Shock resistance	100 g (6 ms)
Vibration resistance	10 g (55...2000 Hz)
Mechanical data	
Weight [g]	443.2
Dimensions [mm]	Ø 58 / L = 35.5
Materials	aluminium
Max. revolution, mechanical [U/min]	12000
Max. starting torque [Nm]	2.5
Reference temperature torque [°C]	20
Shaft design	hollow shaft open to one side
Shaft diameter [mm]	12
Shaft fit	H7
Shaft material	stainless steel
Installation depth of shaft [mm]	10
Max. axial shaft misalignment [mm]	1; (max. radial shaft alignment: ± 0,05 mm)
Remarks	
Notes	discontinued article
Electrical connection	
Cable: 1 m, PUR; radial	
brown	A
green	A inverted
grey	B
pink	B inverted
red	0 index
black	0 index inverted
blue	L+ sensor
white	0V sensor
brown/green	L+ (Up)
white/green	0V (Un)
lilac	failure inverted
screen	housing
Diagrams and graphs	
Pulse diagram	<p>Output A Output B 0 index</p>

Article no longer available - archive entry

RO1366

Incremental encoder with hollow shaft

RO-3600-I05/N1U



Alternative article: RO3501 When selecting an alternative article and accessories please note that technical data may differ! –
When selecting an alternative article and accessories please note that technical data may differ! – Discontinuation date: 31.03.2016