

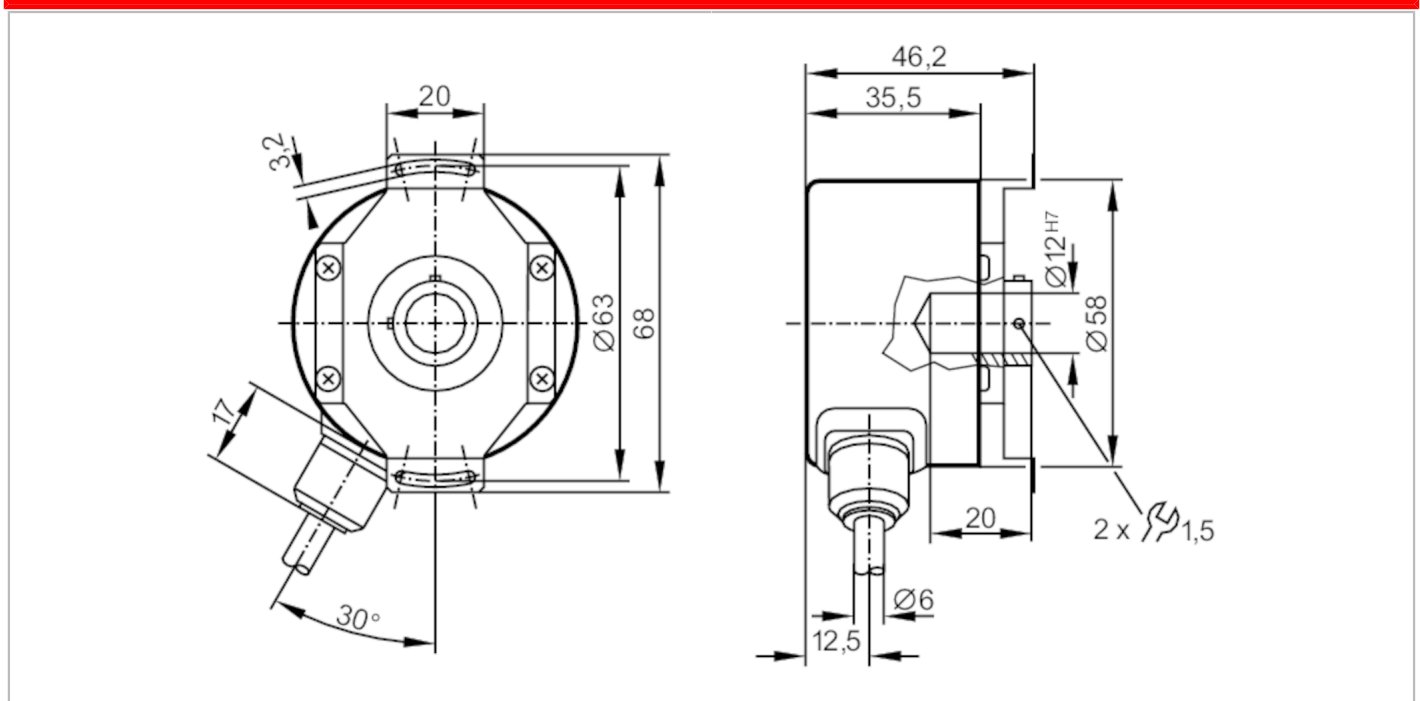
RO1361

Incremental encoder with hollow shaft

RO-0360-I05/N1U



Article no longer available - archive entry



Product characteristics

Resolution	360 resolution
Shaft design	hollow shaft open to one side
Shaft diameter [mm]	12

Electrical data

Operating voltage tolerance [%]	10
Operating voltage [V]	5 DC
Current consumption [mA]	< 150

Outputs

Electrical design	TTL
Max. current load per output [mA]	20
Switching frequency [kHz]	300
Phase difference A and B [°]	90

Measuring/setting range

Resolution	360 resolution
------------	----------------

Operating conditions

Ambient temperature [°C]	-30...100
Note on ambient temperature	for firmly laid cable: -30 °C
Storage temperature [°C]	-30...100
Max. relative air humidity [%]	98
Protection	IP 64

RO1361



Incremental encoder with hollow shaft

RO-0360-I05/N1U

Tests / approvals		
Shock resistance		100 g (6 ms)
Vibration resistance		10 g (55...2000 Hz)
Mechanical data		
Dimensions [mm]		Ø 58 / L = 35.5
Materials		aluminium
Max. revolution, mechanical [U/min]		12000
Max. starting torque [Nm]		1
Reference temperature torque [°C]		20
Shaft design		hollow shaft open to one side
Shaft diameter [mm]		12
Shaft fit		H7
Shaft material		stainless steel
Installation depth of shaft [mm]		10
Max. axial shaft misalignment [mm]		1; (max. radial shaft alignment: ± 0,05 mm)

Electrical connection

Cable: 1 m, PUR; radial

brown	A
green	A inverted
grey	B
pink	B inverted
red	0 index
black	0 index inverted
blue	L+ sensor
white	0V sensor
brown/green	L+ (Up)
white/green	0V (Un)
lilac	failure inverted
screen	housing

Diagrams and graphs

Pulse diagram	<p>Output A Output B 0 index</p>
---------------	--

Article no longer available - archive entry