

# RN6022

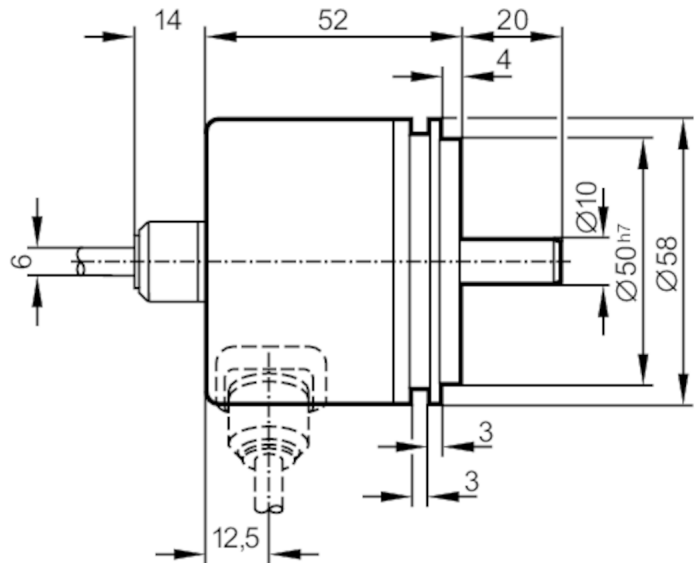
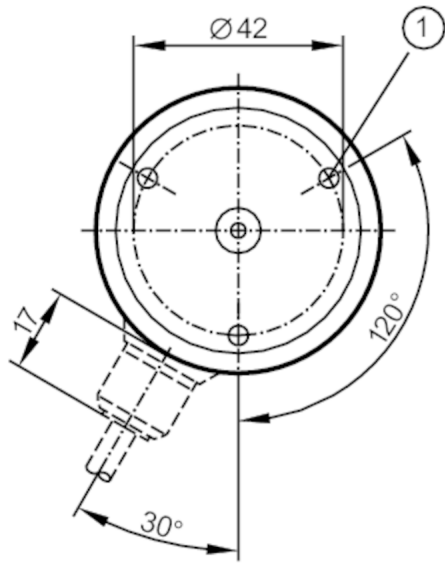


## Absolute singleturn encoder with solid shaft

RN-2048-G24/N1B

Article no longer available - archive entry

replaced by: RN6026



1 M4 Depth 5 mm



### Product characteristics

|                         |                                     |
|-------------------------|-------------------------------------|
| Resolution              | 2048 resolution; 2048 steps; 11 bit |
| Communication interface | parallel                            |
| Shaft design            | solid shaft                         |
| Shaft diameter [mm]     | 10                                  |

### Electrical data

|                                    |            |
|------------------------------------|------------|
| Operating voltage [V]              | 10...30 DC |
| Current consumption [mA]           | < 250      |
| Max. revolution electrical [U/min] | 1500       |

### Outputs

|                                   |   |
|-----------------------------------|---|
| Electrical design                 | HTL   |
| Max. current load per output [mA] | 20  |
| Type of short-circuit protection  | < 60 s  |
| Code                              | Gray code; (increasing code values when turned clockwise (seen on the shaft)) |

### Measuring/setting range

|            |                                     |
|------------|-------------------------------------|
| Resolution | 2048 resolution; 2048 steps; 11 bit |
|------------|-------------------------------------|

### Interfaces

|                         |          |
|-------------------------|----------|
| Communication interface | parallel |
|-------------------------|----------|

# RN6022



## Absolute singleturn encoder with solid shaft

RN-2048-G24/N1B

| Operating conditions                                 |                 |                     |
|--|-----------------|---------------------|
| Ambient temperature                                  | [°C]            | -20...70            |
| Storage temperature                                  | [°C]            | -30...100           |
| Max. relative air humidity                           | [%]             | 98                  |
| Protection   |                 | IP 65               |
| Tests / approvals                                    |                 |                     |
| Shock resistance                                     |                 | 100 g (6 ms)        |
| Vibration resistance                                 |                 | 10 g (55...2000 Hz) |
| Mechanical data                                      |                 |                     |
| Dimensions   | [mm]            | Ø 58 / L = 52       |
| Materials  |                 | aluminium           |
| Max. revolution, mechanical                          | [U/min]         | 10000               |
| Max. starting torque                                 | [Nm]            | 1                   |
| Reference temperature torque                         | [°C]            | 20                  |
| Shaft design   |                 | solid shaft         |
| Shaft diameter                                       | [mm]            | 10                  |
| Shaft material                                       |                 | steel (1.4104)      |
| Max. shaft load axial (at the shaft end)             | [N]             | 10                  |
| Max. shaft load radial (at the shaft end)            | [N]             | 20                  |
| Electrical connection                                |                 |                     |
| Cable: 1 m, PUR; Maximum cable length: 100 m; radial |                 |                     |
| brown  | 10...30V        |                     |
| yellow/brown   | 10...30V sensor |                     |
| white  | 0V              |                     |
| white/yellow   | 0V sensor       |                     |
| brown/green  | bit 11 (MSB)    |                     |
| white/green  | bit 10          |                     |
| red/blue   | bit 9           |                     |
| grey/pink  | bit 8           |                     |
| lilac  | bit 7           |                     |
| black  | bit 6           |                     |
| red  | bit 5           |                     |
| blue   | bit 4           |                     |
| pink   | bit 3           |                     |
| grey   | bit 2           |                     |
| yellow/brown   | bit 1           |                     |
| Screen   | housing         |                     |

# RN6022

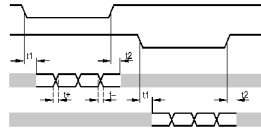


## Absolute singleturn encoder with solid shaft

RN-2048-G24/N1B

### Diagrams and graphs

Pulse diagram



release A inverted

release B inverted

tracks 7...12

tracks 1...6

Article no longer available - archive entry

replaced by: RN6026