

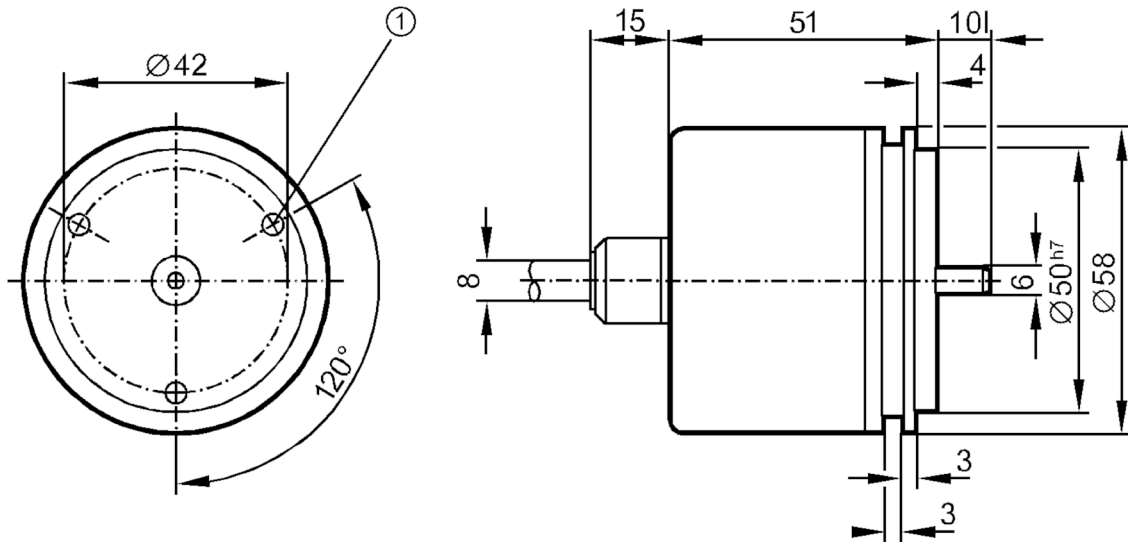
RN6014



Absolute singleturn encoder with solid shaft

RN-0360-G24/L1A

Article no longer available - archive entry



1 M4 Depth 5 mm



Product characteristics

Resolution	360 steps; 9 bit
Shaft design	solid shaft
Shaft diameter [mm]	6

Electrical data

Operating voltage [V]	10...30 DC
Current consumption [mA]	< 150
Max. revolution electrical [U/min]	6000

Outputs

Electrical design	HTL
Max. current load per output [mA]	20
Code	Gray code; (increasing code values when turned clockwise (seen on the shaft))

Measuring/setting range

Resolution	360 steps; 9 bit
------------	------------------

Operating conditions

Ambient temperature [°C]	-20...70
Storage temperature [°C]	-30...100
Max. relative air humidity [%]	98
Protection	IP 65

RN6014



Absolute singleturn encoder with solid shaft

RN-0360-G24/L1A

Tests / approvals

Shock resistance		100 g (6 ms)
Vibration resistance		10 g (55...2000 Hz)

Mechanical data

Dimensions [mm]	Ø 58 / L = 76
Materials	aluminium
Max. revolution, mechanical [U/min]	10000
Max. starting torque [Nm]	1
Reference temperature torque [°C]	20
Shaft design	solid shaft
Shaft diameter [mm]	6
Shaft material	steel (1.4104)
Max. shaft load axial (at the shaft end) [N]	10
Max. shaft load radial (at the shaft end) [N]	20

Electrical connection

Cable: 1 m, PUR; Maximum cable length: 100 m; axial

brown	10...30V
yellow/brown	10...30V sensor
white	0V
white/yellow	0V sensor
green	release A inverted 5...30V
yellow	release B inverted 5...30V
white/grey	bit 9 (MSB) inverted
brown/green	bit 9 (MSB)
white/green	bit 8
red/blue	bit 7
grey/pink	bit 6
lilac	bit 5
black	bit 4
red	bit 3
blue	bit 2
pink	bit 1
Screen	housing

RN6014

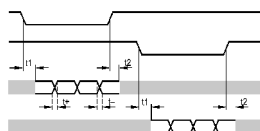


Absolute singleturn encoder with solid shaft

RN-0360-G24/L1A

Diagrams and graphs

Pulse diagram



release A inverted

release B inverted

tracks 3...10

tracks 1...2