

# RM7004

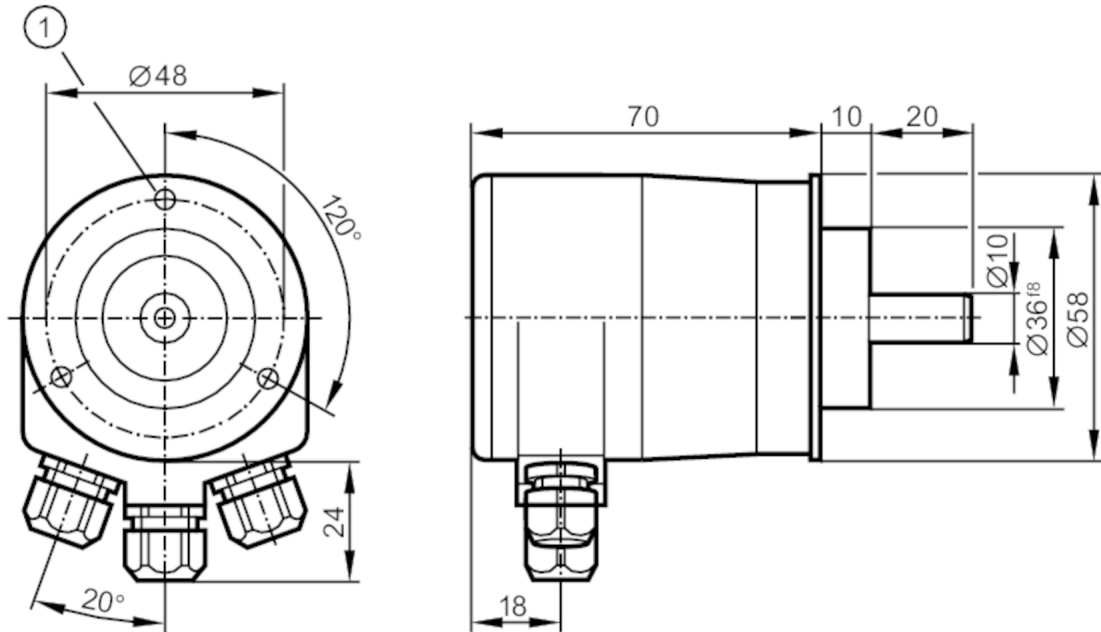


## Absolute multiturn encoder with solid shaft

RMK0025-C24/E

Article no longer available - archive entry

Alternative article: RM7012 When selecting an alternative article and accessories please note that technical data may differ! –  
When selecting an alternative article and accessories please note that technical data may differ! – Discontinuation date: 31.08.2014



1 M4 Depth 5 mm



### Product characteristics

Resolution	8192 steps; 4096 revolutions; 25 bit
Communication interface	CAN
Shaft design	solid shaft
Shaft diameter [mm]	10

### Application

Function principle	absolute
Revolution type	multiturn

### Electrical data

Operating voltage [V]	9...36 DC
Current consumption [mA]	< 250
Reverse polarity protection	yes

### Outputs

Short-circuit protection	yes
Code	binary

### Measuring/setting range

Resolution	8192 steps; 4096 revolutions; 25 bit
------------	--------------------------------------

### Software / programming

Parameter setting options	CAN parameter; scaling; preset; Baud rate; direction of rotation; address
Addressing	address selector switch; Software

# RM7004



## Absolute multiturn encoder with solid shaft

RMK0025-C24/E

Interfaces	
Communication interface	CAN
CAN	
Protocol	CANopen; DSP - 406
Operating conditions	
Ambient temperature [°C]	-40...70
Protection	IP 66; (on the housing: IP 67; on the shaft: IP 66)
Tests / approvals	
Shock resistance	100 g (6 ms)
Vibration resistance	10 g (55...2000 Hz)
MTTF [years]	46
Mechanical data	
Weight [g]	612
Dimensions [mm]	Ø 58 / L = 100
Materials	aluminium
Max. revolution, mechanical [U/min]	6000
Max. starting torque [Nm]	1
Reference temperature torque [°C]	20
Shaft design	solid shaft
Shaft diameter [mm]	10
Shaft material	steel (1.4104)
Max. shaft load axial (at the shaft end) [N]	10
Max. shaft load radial (at the shaft end) [N]	20
Fixing flange	clamping flange
Remarks	
Notes	discontinued article
Electrical connection	
terminal strip in the terminal chamber: ; Maximum cable length: 25 m; 100 m (500 kb/s)	

Article no longer available - archive entry

Alternative article: RM7012 When selecting an alternative article and accessories please note that technical data may differ! –  
When selecting an alternative article and accessories please note that technical data may differ! – Discontinuation date: 31.08.2014