

RM3005

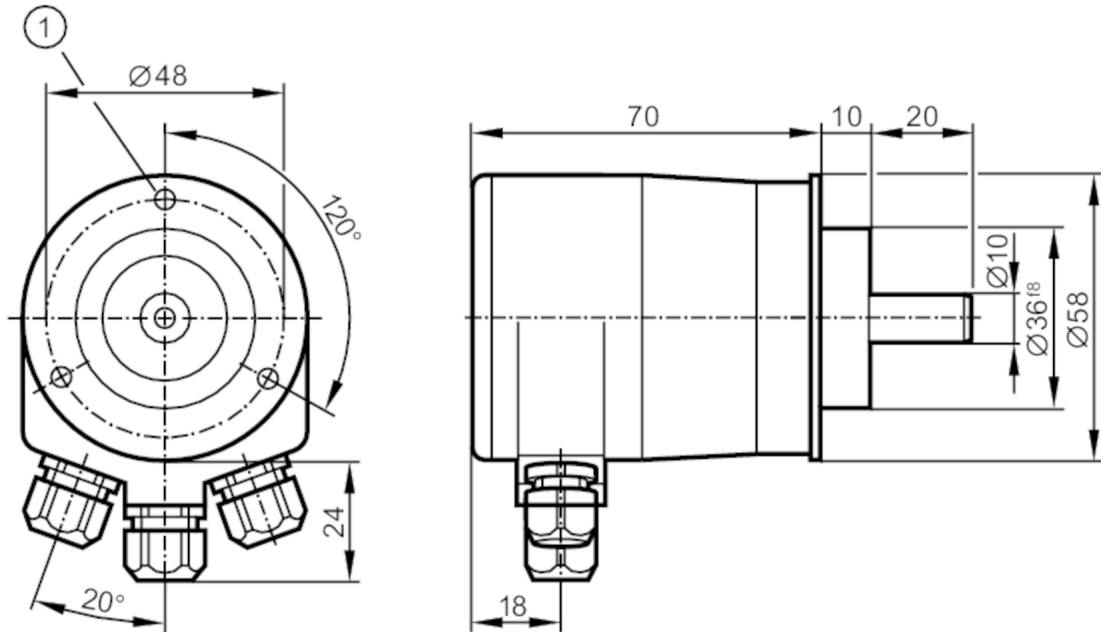


Absolute multiturn encoder with solid shaft

RMV Profibus

Article no longer available - archive entry

Alternative article: RM3007 When selecting an alternative article and accessories please note that technical data may differ! –
When selecting an alternative article and accessories please note that technical data may differ! – Discontinuation date: 31.08.2014



1 M4 Depth 5 mm



Product characteristics

Resolution	8192 steps; 4096 revolutions; 25 bit
Communication interface	PROFIBUS DP
Shaft design	solid shaft
Shaft diameter [mm]	10

Electrical data

Operating voltage [V]	10...30 DC
Current consumption [mA]	< 150
Max. revolution electrical [U/min]	6000

Outputs

Code	Dual code
------	-----------

Measuring/setting range

Resolution	8192 steps; 4096 revolutions; 25 bit
------------	--------------------------------------

Software / programming

Parameter setting options	counting direction of the code values; Resolution; zero point; limit switches HI and LO; motion indicator; separation multiturn/singleturn
Diagnostic functions	alarms; warnings; status; serial number of the encoder
Addressing	address selector switch; 0...126

Interfaces

Communication interface	PROFIBUS DP
-------------------------	-------------

RM3005



Absolute multiturn encoder with solid shaft

RMV Profibus

PROFIBUS DP	
Transmission standard	DPV0 Class 2 (EN50170)
Transmission rate	...12 Mbit/s
Operating conditions	
Ambient temperature [°C]	-40...70
Protection	IP 66; (on the housing: IP 67; on the shaft: IP 66)
Tests / approvals	
Shock resistance	100 g (6 ms)
Vibration resistance	10 g (55...2000 Hz)
MTTF [years]	46
Mechanical data	
Weight [g]	622
Dimensions [mm]	Ø 58 / L = 100
Materials	aluminium
Max. revolution, mechanical [U/min]	12000
Max. starting torque [Nm]	1
Reference temperature torque [°C]	20
Shaft design	solid shaft
Shaft diameter [mm]	10
Shaft material	steel (1.4104)
Max. shaft load axial (at the shaft end) [N]	10
Max. shaft load radial (at the shaft end) [N]	20
Fixing flange	clamping flange
Remarks	
Notes	discontinued article
Electrical connection	
terminal strip in the terminal chamber: ; Maximum cable length: 100 m; 400 m (1.5 Mb/s)	

Article no longer available - archive entry

Alternative article: RM3007 When selecting an alternative article and accessories please note that technical data may differ! –
When selecting an alternative article and accessories please note that technical data may differ! – Discontinuation date: 31.08.2014