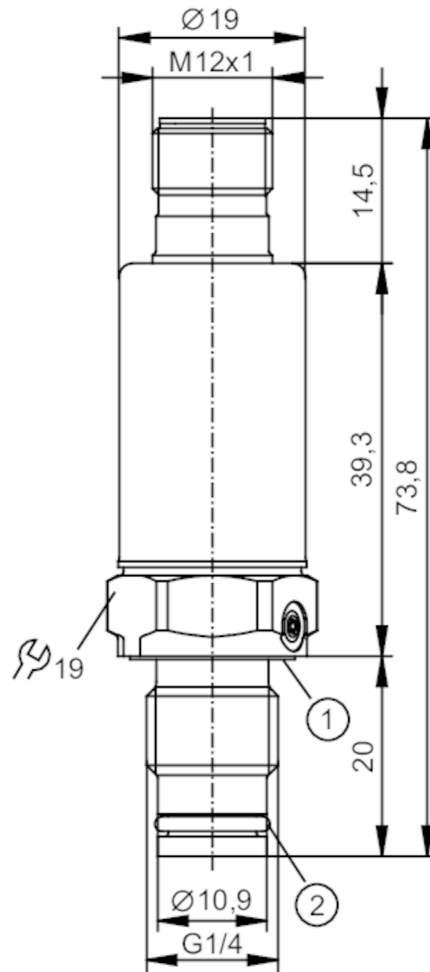


PL5423



Pressure transmitter

PL-060-SEG14-A-ZVG/US/ IW



- 1 Gasket DIN 3869-14-FKM
- 2 O-ring 8.5 x 1.5 FKM



Product characteristics

Number of inputs and outputs	Number of analogue outputs: 1		
Measuring range	0...60 bar	0...870 psi	0...6 MPa
Process connection	threaded connection G 1/4 external thread		

Application

Measuring element	thin film measuring cell with diaphragm seal technique		
Application	flush mountable for industrial applications; for industrial applications		
Media	viscous media and liquids with suspended particles; liquids and gases		
Medium temperature [°C]	-25...90		
Min. bursting pressure	900 bar	13050 psi	90 MPa
Pressure rating	150 bar	2175 psi	15 MPa
Note on pressure rating	static		
Vacuum resistance [mbar]	-1000		
Type of pressure	relative pressure		

PL5423



Pressure transmitter

PL-060-SEG14-A-ZVG/US/ IW


Electrical data				
Operating voltage	[V]	8.5...36 DC		
Min. insulation resistance	[MΩ]	100; (500 V DC)		
Protection class		III		
Reverse polarity protection		yes		
Power-on delay time	[s]	0.1		
Inputs / outputs				
Number of inputs and outputs		Number of analogue outputs: 1		
Outputs				
Total number of outputs		1		
Output signal		analogue signal		
Number of analogue outputs		1		
Analogue current output	[mA]	4...20		
Max. load	[Ω]	(U _b – 8,5 V) / 21,5 mA; @8,5V= 0 Ω; @12V max. 160 Ω; @24V max. 720 Ω		
Short-circuit proof		yes		
Overload protection		yes		
Measuring/setting range				
Measuring range		0...60 bar	0...870 psi	0...6 MPa
Accuracy / deviations				
Repeatability	[% of the span]	< ± 0,05; (with temperature fluctuations < 10 K)		
Characteristics deviation	[% of the span]	< ± 0,5; (incl. drift when overtightened, zero point and span error, non-linearity, hysteresis)		
Linearity deviation	[% of the span]	< ± 0,1 (BFSL) / < ± 0,2 (LS)		
Hysteresis deviation	[% of the span]	< ± 0,2		
Long-term stability	[% of the span]	< ± 0,1; (per 6 months)		
Temperature coefficient zero point and span	[% of the span / 10 K]	< 0,35 (-25...90 °C) / < 0,15 (-25...90 °C)		
Response times				
Step response time analogue output	[ms]	2		
Operating conditions				
Ambient temperature	[°C]	-25...90		
Storage temperature	[°C]	-25...100		
Protection		IP 67; IP 69K		
Tests / approvals				
EMC		DIN EN 61000-6-2		
		DIN EN 61000-6-3		
Shock resistance		DIN EN 60068-2-27		50 g (11 ms)
Vibration resistance		DIN EN 60068-2-6		20 g (10...2000 Hz)
MTTF	[years]	787		

PL5423



Pressure transmitter

PL-060-SEG14-A-ZVG/US/ IW

Mechanical data	
Weight [g]	65
Materials	1.4542 (17-4 PH / 630); stainless steel (1.4404 / 316L); PEI
Materials (wetted parts)	1.4542 (17-4 PH / 630); stainless steel (1.4435 / 316L); FKM
Min. pressure cycles	60 million; (at 1.2 times nominal pressure)
Tightening torque [Nm]	25...35; (recommended tightening torque; depends on lubrication, seal and pressure rating)
Process connection	threaded connection G 1/4 external thread
Process connection sealing	FKM
Fill fluid for pressure transfer	NEOBEE (food grade, FDA compliant)
Accessories	
Items supplied	O-ring : 8,5mm x 1,5mm, FKM, E30517 Gasket : G1/4 DIN3869, FKM, E30145
Accessories (optional)	O-ring : 5 x 8,5mm x1,5 mm, FKM, E30517 O-ring : 1 x 8,5mm x1,5 mm, FFKM, E30518 O-ring : 5 x 8,5mm x1,5 mm, EPDM, E30519 Gasket : 10 x G/1/4 DIN3869, FKM, E30145 Gasket : 1 x G/1/4 DIN3869, FFKM, E30520 Gasket : 10 x G/1/4 DIN3869, EPDM, E30442
Remarks	
Remarks	BFSL = Best Fit Straight Line LS = limit value setting
Pack quantity	1 pcs.
Electrical connection	
Connector: 1 x M12	
	



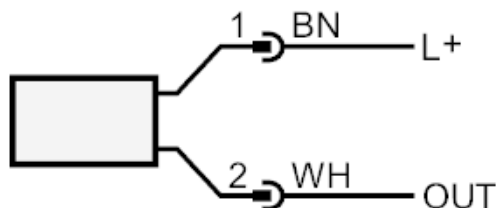
PL5423



Pressure transmitter

PL-060-SEG14-A-ZVG/US/ IW

Connection



OUT	analogue output colours to DIN EN 60947-5-2 Core colours :
BN	brown
WH	white