

OT5004

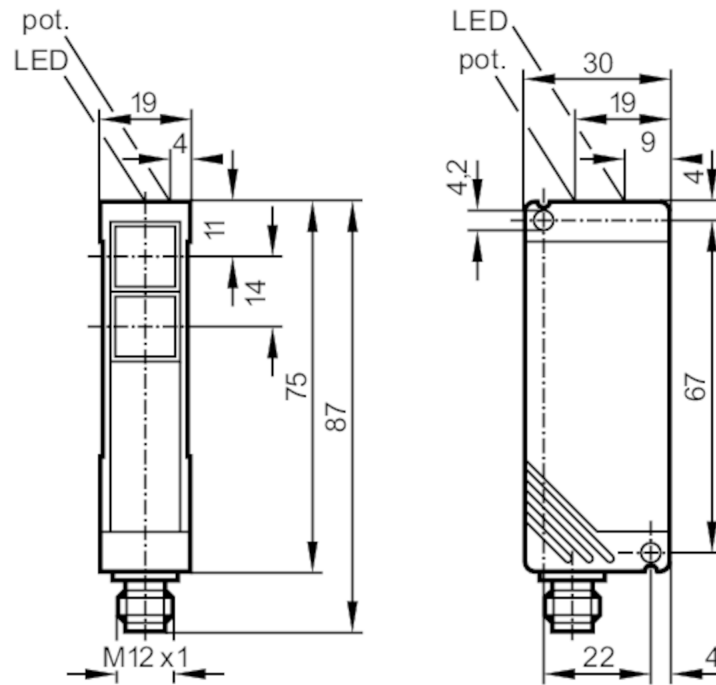


Diffuse reflection sensor

OTT-FNKG/US-100-INF

Article no longer available - archive entry

Alternative article: O5H504 When selecting an alternative article and accessories please note that technical data may differ! – When selecting an alternative article and accessories please note that technical data may differ!



receiver in lower lens
transmitter in upper lens

Product characteristics

Type of light	infrared light
Housing	rectangular
Dimensions [mm]	75 x 19 x 30

Application

Function principle	Diffuse reflection sensor
--------------------	---------------------------

Electrical data

Operating voltage [V]	10...50 DC
Current consumption [mA]	40; ((24 V))
Protection class	II
Reverse polarity protection	yes
Type of light	infrared light
Wave length [nm]	880

OT5004



Diffuse reflection sensor

OTT-FNKG/US-100-INF

Outputs		
Electrical design		NPN
Output function		light-on/dark-on mode; (parameterisable)
Max. voltage drop switching output DC	[V]	2.5
Permanent current rating of switching output DC	[mA]	250
Switching frequency DC	[Hz]	150
Short-circuit protection		yes
Type of short-circuit protection		pulsed
Overload protection		yes
Detection zone		
Range	[mm]	4...200; (white paper 200 x 200 mm)
Range adjustable		yes
Max. light spot diameter	[mm]	187
Light spot dimensions refer to		at maximum range
Operating conditions		
Ambient temperature	[°C]	-25...60
Protection		IP 65
Tests / approvals		
EMC	EN 60947-5-2	
	EN 55011	class B
MTTF	[years]	583
Mechanical data		
Weight	[g]	0.161
Housing		rectangular
Dimensions	[mm]	75 x 19 x 30
Materials		PBT
Lens material		PMMA
Displays / operating elements		
Display	switching status	1 x LED, yellow
	operation	1 x LED, green
Accessories		
Accessories (supplied)		Angle bracket: 1 x, E20461 screwdrivers
Remarks		
Pack quantity		1 pcs.
Electrical connection		
Connector: 1 x M12		

OT5004

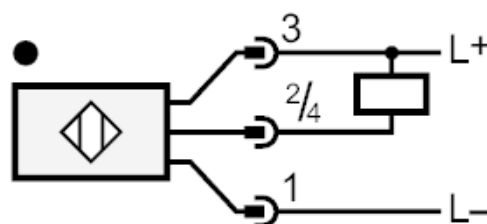
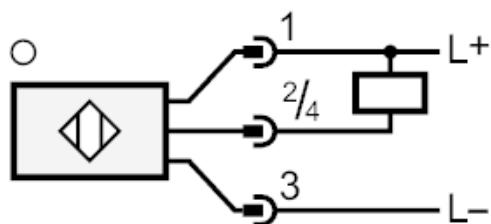


Diffuse reflection sensor

OTT-FNKG/US-100-INF



Connection



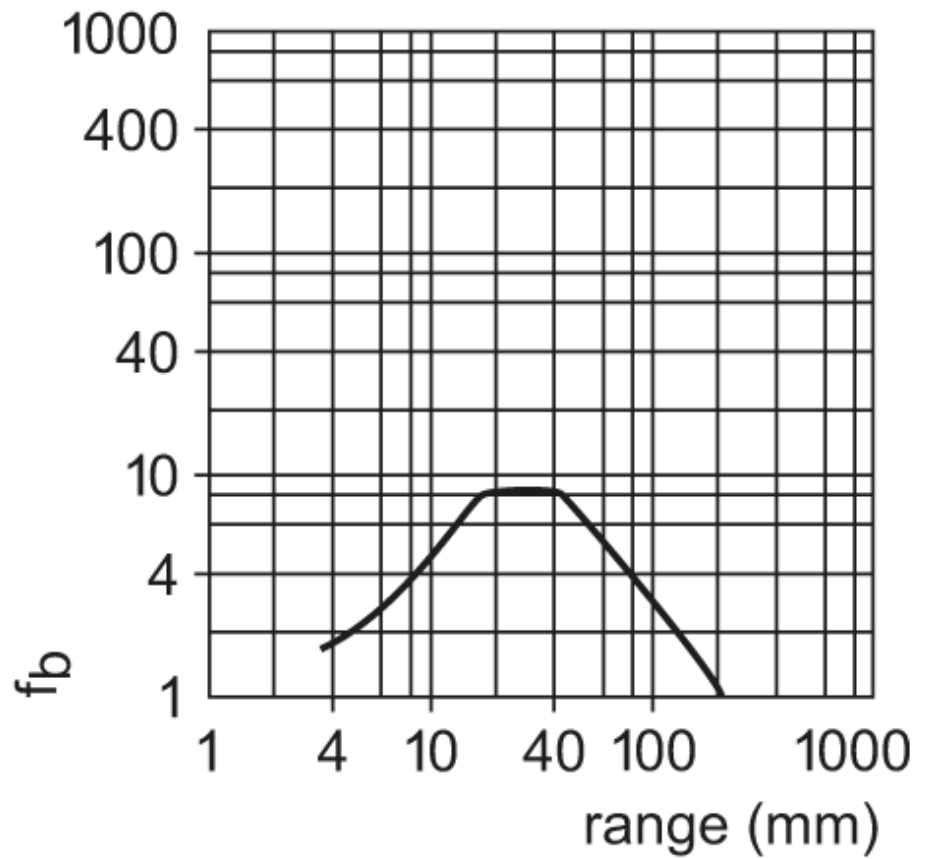


Diffuse reflection sensor

OTT-FNKG/US-100-INF

Diagrams and graphs

excess gain graph



Article no longer available - archive entry

Alternative article: O5H504 When selecting an alternative article and accessories please note that technical data may differ! – When selecting an alternative article and accessories please note that technical data may differ!