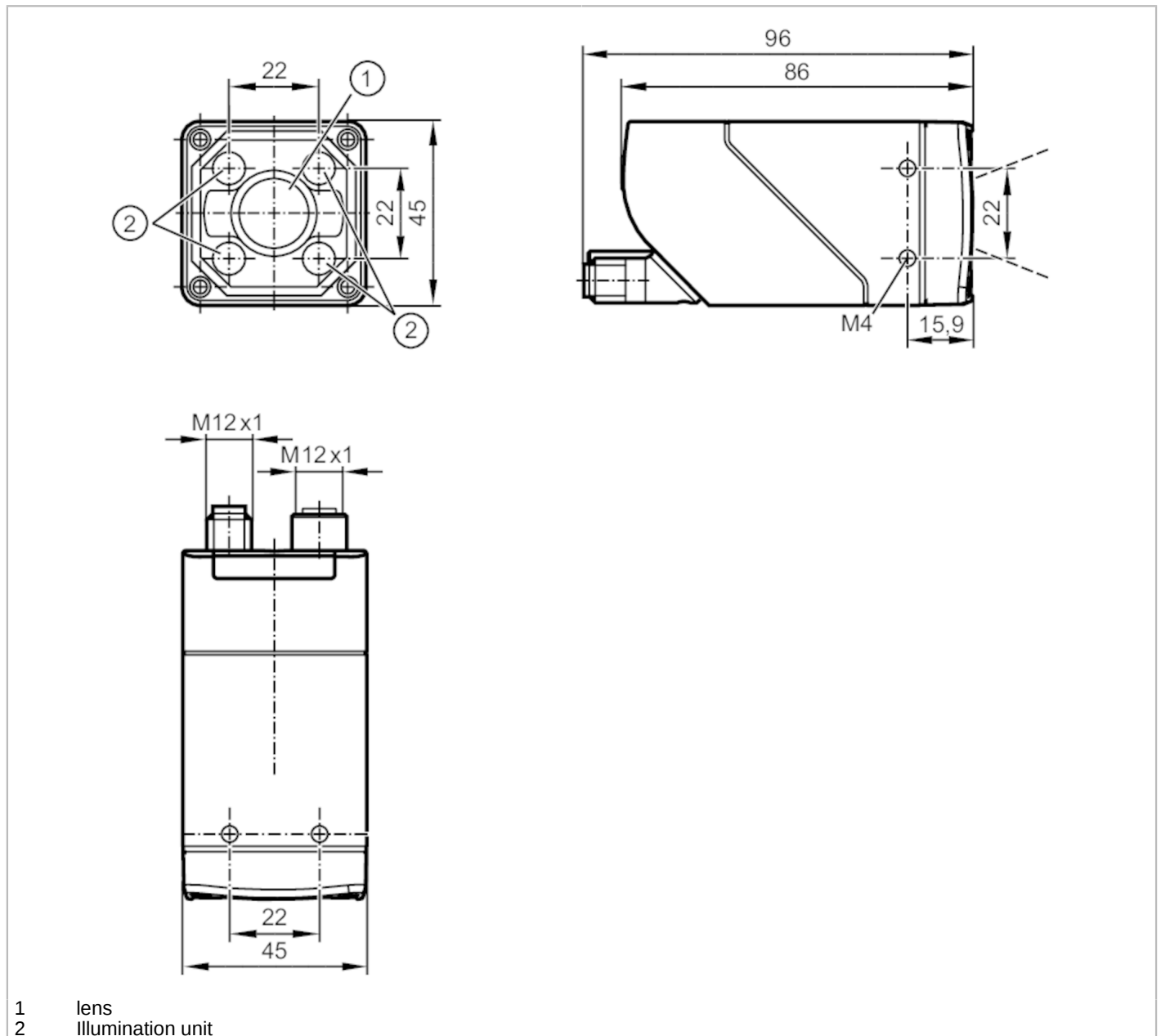


O2I414



1D/2D code readers

O2IRRDKG/E1/IO/EF/TB/T



- 1 lens
- 2 illumination unit



Product characteristics	
Type of light	red light
Image resolution [px]	1280 x 960
Max. reading rate [Hz]	40
Application	
Special feature	polarisation filter
Electrical data	
Operating voltage [V]	18...30 DC
Current consumption [mA]	< 400; (18 V DC typical)
Max. current consumption [mA]	800; (18V DC, with switched outputs, memory stick active)
Protection class	III

O2I414



1D/2D code readers

O2IRRDKG/E1/IO/EF/TB/T

Reverse polarity protection	yes
Type of light	red light
Wave length [nm]	617
Image sensor	CMOS image sensor black/white

Inputs / outputs

Number of inputs and outputs	Number of digital inputs: 1; Number of digital outputs: 2
------------------------------	---

Inputs

Trigger	external; 24 V PNP/NPN (IEC 61131-2 Typ 3); internal
Number of digital inputs	1

Outputs

Total number of outputs	2
Electrical design	PNP/NPN; (parameterisable)
Number of digital outputs	2; (configurable)
Output function	configurable
Max. voltage drop switching output DC [V]	2
Max. current load per output [mA]	100
Short-circuit protection	yes
Type of short-circuit protection	pulsed
Overload protection	yes

Detection zone

Field of view size [mm]	Operating distance	field of view		
	200	38 x 29		
	300	58 x 43		
	500	96 x 72		
	1000	192 x 144		
	1500	288 x 216		
	2000	384 x 288		
Operating distance [mm]	> 200			
Image resolution [px]	1280 x 960			
Lens type	Telephoto lens			
Readable codes	Interleaved 2-of-5; Industrial 2-of-5; Code 39; Code 93; Code 128; Pharmacode; Codabar; EAN8; EAN8 Add-On 2; EAN8 Add-On 5; EAN13; EAN13 Add-On 2; EAN13 Add-On 5; UPC-A; UPC-A Add-On 2; UPC-A Add-On 5; UPC-E; UPC-E Add-On 2; UPC-E Add-On 5; GS1 DataBar Omnidirectional; GS1 DataBar Truncated; GS1 DataBar Stacked; GS1 DataBar Stacked Omnidirectional; GS1 DataBar Limited; GS1 DataBar Expanded; GS1 DataBar Expanded Stacked; GS1 - 128; MSI Barcode; ECC200; PDF-417; QR; Micro-QR; Aztec Code; GS1 ECC200; GS1 QR Code; GS1 Aztec Code			
Code quality based on				ISO / IEC 15415
				ISO / IEC 15416
				AIM DPM
				ISO/IEC TR 29158
				SEMI T10
Legible fonts	Industrial; Document; OCR-A; OCR-B; Pharma; Semi; Universal; Dot Print			
Text recognition	yes			
Polarisation filter available	yes			

O2I414



1D/2D code readers

O2IRRDKG/E1/IO/EF/TB/T

Omnidirectional reading	yes
Max. inclination to the image plane [°]	45
Max. reading rate [Hz]	40

Software / programming

Parameter setting options	teach button; via PC with ifm Vision Assistant
---------------------------	--

Interfaces

Communication interface	IO-Link	
Transmission type	COM3 (230,4 kBaud)	
IO-Link revision	1.1	
Required master port type	A	
Supported DeviceIDs	Type of operation	DeviceID
	default	1699

Ethernet

Number of Ethernet interfaces	1
Transmission standard	10Base-T; 100Base-TX
Transmission rate	10 MBit/s; 100 MBit/s
Protocol	TCP/IP
Factory settings	IP address: 192.168.0.69 subnet mask: 255.255.255.0 (Class C) gateway IP address: 192.168.0.201 MAC address: see type label
Usage type	parameter setting

Operating conditions

Ambient temperature [°C]	-10...50
Storage temperature [°C]	-40...70
Max. relative air humidity [%]	90; (non condensing)
Max. height above sea level [m]	4000
Protection	IP 65
Pollution degree	3

Tests / approvals

EMC	EN IEC 61000-6-4 radiation of interference	industrial environments
	EN IEC 61000-6-2 immunity	industrial environments
Shock resistance	EN 60068-2-27	50 g 11 ms / not repetitive
	EN 60068-2-27	40 g 6 ms / repetitive
Vibration resistance	EN 60068-2-6	2 g (10 ... 150 Hz)
Photobiological safety	exempt group; (EN 62471)	
Electrical protection	EN IEC 61010-2-201	electrical supply only via PELV circuits

Mechanical data

Weight [g]	596.8
Type of mounting	screw mounting; (bore hole M4 x 7 mm)
Dimensions [mm]	45 x 45 x 86
Materials	housing: diecast zinc powder-coated; front pane: PMMA; LED window: PC; pushbutton: POM

O2I414



1D/2D code readers

O2IRRDKG/E1/IO/EF/TB/T

Sealing material	FKM
Tightening torque [Nm]	2.1

Displays / operating elements

Display	function	2 x LED, green
	function	2 x LED, yellow
	Teach-Funktion	1 x LED, green
	Teach-Funktion	1 x LED, yellow
Operating elements	1 x	Teach-Taste

Accessories

Accessories (optional)	Operating software
	Mounting accessories
	Adapter cable
	protective panes and filter panes

Remarks

Pack quantity	1 pcs.
---------------	--------

Electrical connection

Electrical connection - Ethernet

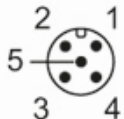
Connector: 1 x M12; coding: D; Moulded body: stainless steel; Sealing: FKM



1	TxD+
2	RxD+
3	TxD-
4	RxD-

Electrical connection - supply

Connector: 1 x M12; coding: A; Moulded body: stainless steel



1	U+
2	trigger input
3	0 V
4	switching output 1 configurable / IO-Link
5	switching output 2 configurable / trigger output with external illumination