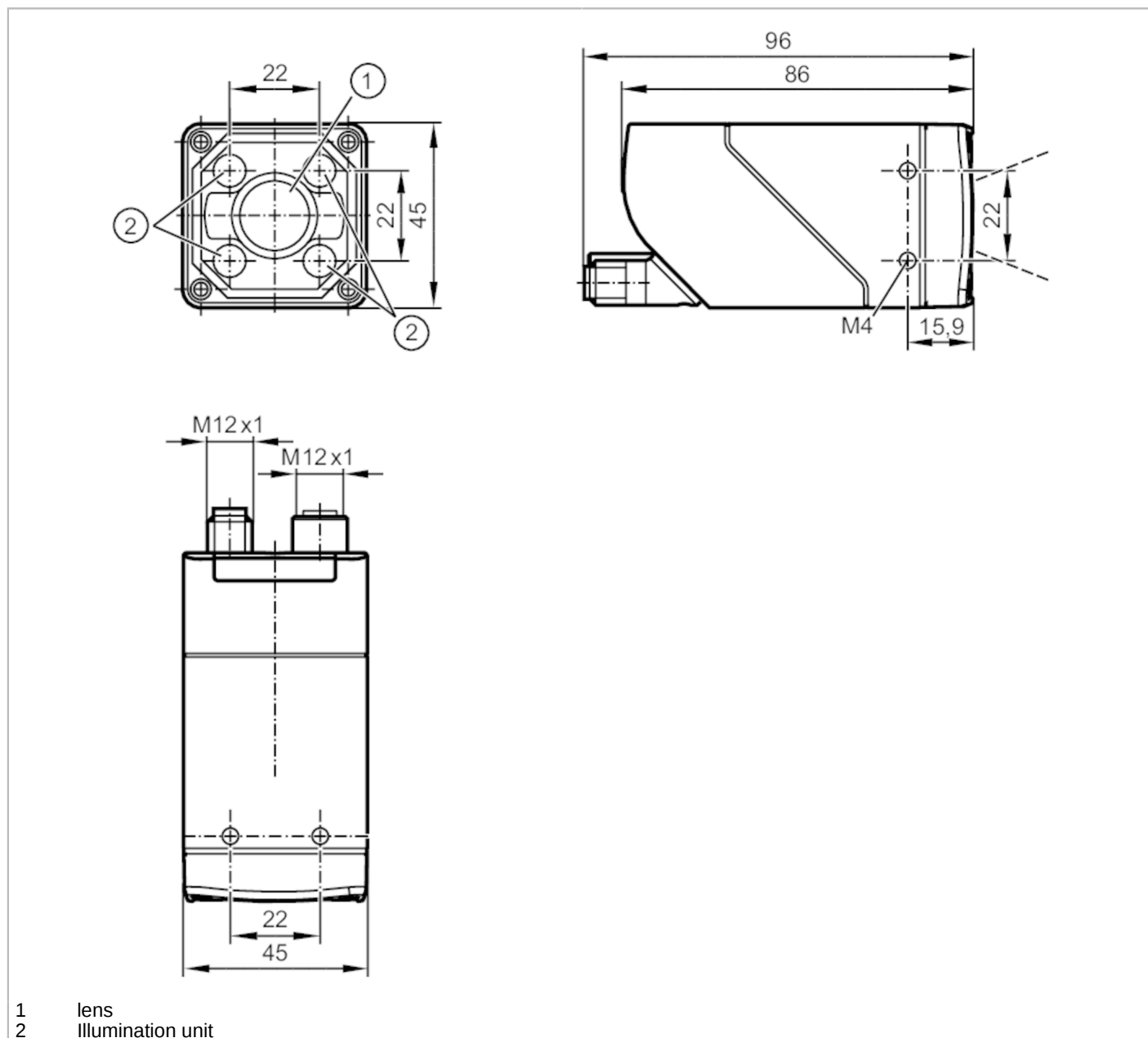


# O2I400



## 1D/2D code readers

O2ICRDKG/E1/IO/EF/TB/S



- 1 lens
- 2 illumination unit



### Product characteristics

Type of light		RGBW
Image resolution	[px]	1280 x 960
Max. reading rate	[Hz]	40

### Application

Special feature		polarisation filter
-----------------	--	---------------------

### Electrical data

Operating voltage	[V]	18...30 DC
Current consumption	[mA]	< 400; (18 V DC typical)
Max. current consumption	[mA]	800; (18V DC, with switched outputs, memory stick active)
Protection class		III

# O2I400



## 1D/2D code readers

O2ICRDKG/E1I/O/EF/TB/S

Reverse polarity protection	yes		
Type of light	RGBW		
Wave length [nm]	625; 525; 453		
Image sensor	CMOS image sensor black/white		
<b>Inputs / outputs</b>			
Number of inputs and outputs	Number of digital inputs: 1; Number of digital outputs: 2		
<b>Inputs</b>			
Trigger	external; 24 V PNP/NPN (IEC 61131-2 Typ 3); internal		
Number of digital inputs	1		
<b>Outputs</b>			
Total number of outputs	2		
Electrical design	PNP/NPN; (parameterisable)		
Number of digital outputs	2; (configurable)		
Output function	configurable		
Max. voltage drop switching output DC [V]	2		
Max. current load per output [mA]	100		
Short-circuit protection	yes		
Type of short-circuit protection	pulsed		
Overload protection	yes		
<b>Detection zone</b>			
Field of view size [mm]	Operating distance	field of view	
	85	28 x 21	
	300	92 x 69	
	500	152 x 114	
	1000	302 x 227	
Operating distance [mm]	> 85		
Image resolution [px]	1280 x 960		
Lens type	standard		
Readable codes	Interleaved 2-of-5; Industrial 2-of-5; Code 39; Code 93; Code 128; Pharmacode; Codabar; EAN8; EAN8 Add-On 2; EAN8 Add-On 5; EAN13; EAN13 Add-On 2; EAN13 Add-On 5; UPC-A; UPC-A Add-On 2; UPC-A Add-On 5; UPC-E; UPC-E Add-On 2; UPC-E Add-On 5; GS1 DataBar Omnidirectional; GS1 DataBar Truncated; GS1 DataBar Stacked; GS1 DataBar Stacked Omnidirectional; GS1 DataBar Limited; GS1 DataBar Expanded; GS1 DataBar Expanded Stacked; GS1 - 128; MSI Barcode; ECC200; PDF-417; QR; Micro-QR; Aztec Code; GS1 ECC200; GS1 QR Code; GS1 Aztec Code		
Code quality based on			ISO / IEC 15415
			ISO / IEC 15416
			AIM DPM
			ISO/IEC TR 29158
			SEMI T10
Legible fonts	Industrial; Document; OCR-A; OCR-B; Pharma; Semi; Universal; Dot Print		
Text recognition	yes		
Polarisation filter available	yes		
Omnidirectional reading	yes		

# O2I400



## 1D/2D code readers

O2ICRDKG/E1/IO/EF/TB/S

Max. inclination to the image plane	[°]	45
Max. reading rate	[Hz]	40

### Software / programming

Parameter setting options	teach button; via PC with ifm Vision Assistant
---------------------------	--

### Interfaces

Communication interface	IO-Link	
Transmission type	COM3 (230,4 kBaud)	
IO-Link revision	1.1	
Required master port type	A	
Supported DeviceIDs	<b>Type of operation</b>	<b>DeviceID</b>
	default	1699

### Ethernet

Number of Ethernet interfaces	1
Transmission standard	10Base-T; 100Base-TX
Transmission rate	10 MBit/s; 100 MBit/s
Protocol	TCP/IP
Factory settings	IP address: 192.168.0.69 subnet mask: 255.255.255.0 (Class C) gateway IP address: 192.168.0.201 MAC address: see type label
Usage type	parameter setting

### Operating conditions

Ambient temperature	[°C]	-10...50
Storage temperature	[°C]	-40...70
Max. relative air humidity	[%]	90; (non condensing)
Max. height above sea level	[m]	4000
Protection		IP 65
Pollution degree		3

### Tests / approvals

EMC	EN IEC 61000-6-4 radiation of interference	industrial environments
	EN IEC 61000-6-2 immunity	industrial environments
Shock resistance	EN 60068-2-27	50 g 11 ms / not repetitive
	EN 60068-2-27	40 g 6 ms / repetitive
Vibration resistance	EN 60068-2-6	2 g (10 ... 150 Hz)
Photobiological safety		risk group 1; (EN 62471)
Electrical protection	EN IEC 61010-2-201	electrical supply only via PELV circuits

### Mechanical data

Weight	[g]	592
Type of mounting		screw mounting; (bore hole M4 x 7 mm)
Dimensions	[mm]	45 x 45 x 86
Materials		housing: diecast zinc powder-coated; front pane: PMMA; LED window: PC; pushbutton: POM
Sealing material		FKM



## 1D/2D code readers

O2ICRDKG/E1/IO/EF/TB/S

Tightening torque [Nm] 2.1

### Displays / operating elements

Display	function	2 x LED, green
	function	2 x LED, yellow
	Teach-Funktion	1 x LED, green
	Teach-Funktion	1 x LED, yellow
Operating elements	1 x	Teach-Taste

### Accessories

Accessories (optional)	Operating software
	Mounting accessories
	Adapter cable
	protective panes and filter panes

### Remarks

Pack quantity 1 pcs.

### Electrical connection

#### Electrical connection - Ethernet

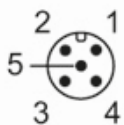
Connector: 1 x M12; coding: D; Moulded body: stainless steel; Sealing: FKM



1	TxD+
2	RxD+
3	TxD-
4	RxD-

#### Electrical connection - supply

Connector: 1 x M12; coding: A; Moulded body: stainless steel



1	U+
2	trigger input
3	0 V
4	switching output 1 configurable / IO-Link
5	switching output 2 configurable / trigger output with external illumination