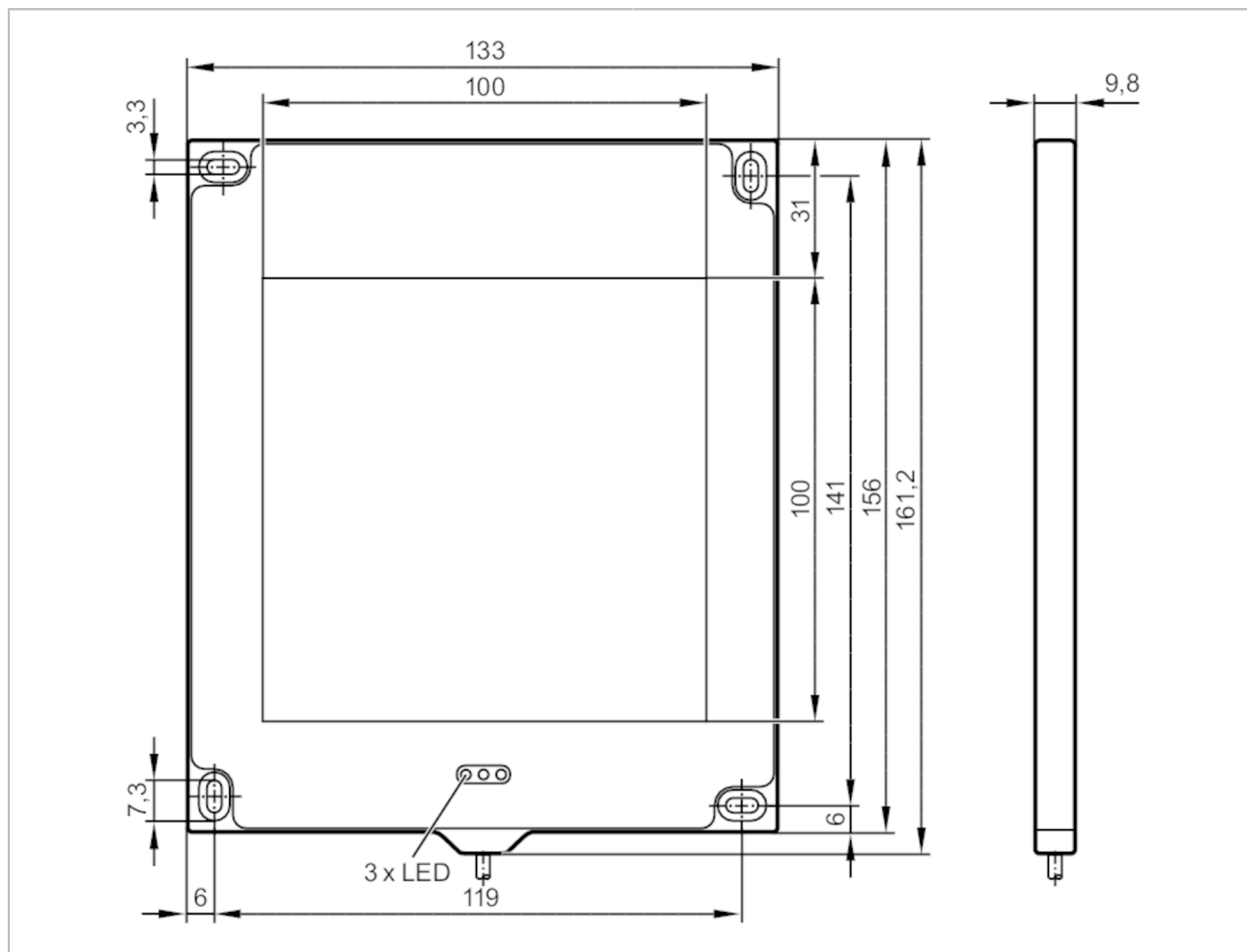


O2D912



External illumination

BACKLIGHT 100X100 RT/0,15M/US



Product characteristics

Type of light	red light
Dimensions [mm]	156 x 133 x 9.2

Application

Special feature	Gold-plated contacts
Illuminated field [mm]	100 x 100
Design	backlight
Type of operation	high light intensity (max. pulse length: 50 ms; max. mark-to-space ratio: 1/10); normal light intensity (permanent operation possible)

O2D912



External illumination

BACKLIGHT 100X100 RT/0,15M/US

Electrical data		
Operating voltage tolerance [%]	-10...10	
Operating voltage [V]	24 DC	
Current consumption [mA]	operating mode "permanent operation": 450; operating mode "high light intensity": 250	
Protection class	III	
Reverse polarity protection	yes	
Type of light	red light	
Wave length [nm]	660	
Inputs		
Trigger	24 V PNP (IEC 61131-1)	
Outputs		
Overload protection	yes	
Operating conditions		
Ambient temperature [°C]	0...50	
Protection	IP 65	
Overheat protection	yes	
Tests / approvals		
MTTF [years]	242	
Mechanical data		
Weight [g]	332.5	
Dimensions [mm]	156 x 133 x 9.2	
Materials	aluminium	
Lens material	PMMA	
Displays / operating elements		
Display	illumination status	1 x LED, yellow
	operation	1 x LED, green
	excess temperature / overload	1 x LED, red
Remarks		
Pack quantity	1 pcs.	
Electrical connection		
Cable: 0.15 m, PUR		
Connector: 1 x M12; Contacts: gold-plated		

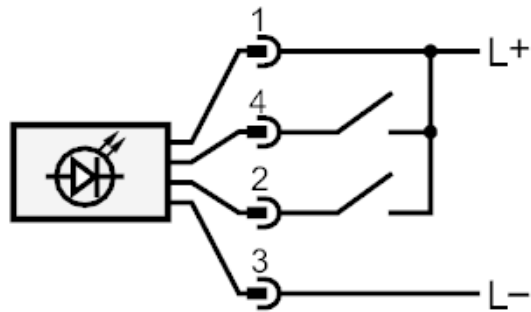
O2D912



External illumination

BACKLIGHT 100X100 RT/0,15M/US

Connection



- 4 trigger
- 2 operating mode "high light intensity"