

IV5014

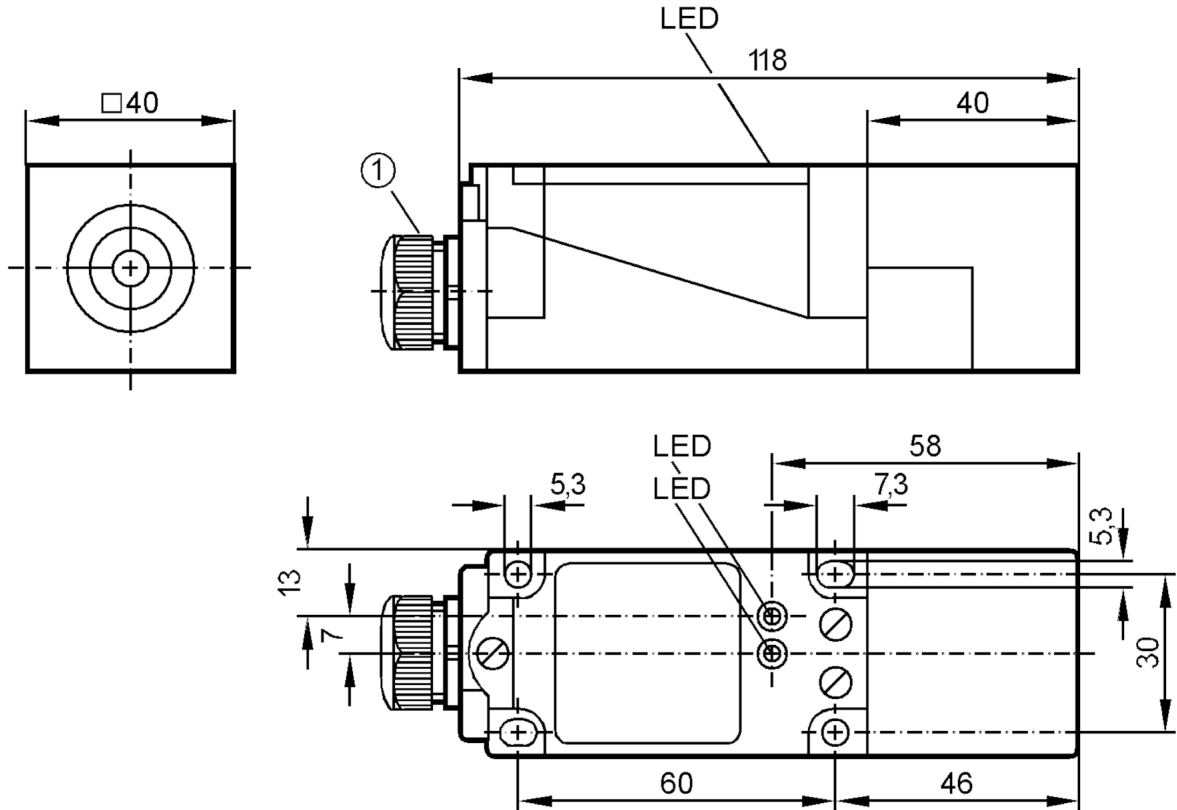


Inductive sensor

IVE4015-CPKG/3D

Article no longer available - archive entry

replaced by: IM510A



1 Cable gland



Product characteristics

Electrical design		PNP
Output function		complementary
Sensing range	[mm]	15
Housing		rectangular
Dimensions	[mm]	40 x 40 x 118

Electrical data


Operating voltage	[V]	10...36 DC
Current consumption	[mA]	20; (24 V)
Protection class		II
Reverse polarity protection		yes

IV5014



Inductive sensor

IVE4015-CPKG/3D

Outputs		
Electrical design	PNP	
Output function	complementary	
Max. voltage drop switching output DC [V]	3	
Permanent current rating of switching output DC [mA]	100	
Short-time current rating of switching output [mA]	100	
Switching frequency DC [Hz]	300	
Short-circuit protection	yes	
Type of short-circuit protection	pulsed	
Overload protection	yes	
Detection zone		
Sensing range [mm]	15	
Real sensing range Sr [mm]	15 ± 10 %	
Operating distance [mm]	0...12.1	
Accuracy / deviations		
Correction factor	steel: 1 / stainless steel: 0.85 / aluminium: 0.4 / copper: 0.3	
Hysteresis [% of Sr]	1...15	
Switch point drift [% of Sr]	-10...10	
Operating conditions		
Ambient temperature [°C]	-20...60	
Protection	IP 54; (when used outside the hazardous area: IP 67)	
Tests / approvals		
ATEX marking	 II 3D Ex tD A22 IP54 T80°C X	
EMC	EN 60947-5-2	
MTTF [years]	1076	
Mechanical data		
Weight [g]	0.251	
Housing	rectangular	
Mounting	flush mountable	
Dimensions [mm]	40 x 40 x 118	
Materials	PBT	
Tightening torque for cable gland [Nm]	3.5	
Displays / operating elements		
Display	switching status	1 x LED, yellow
	operation	1 x LED, green
Remarks		
Remarks	5 positions of the active zone possible	
Pack quantity	1 pcs.	

IV5014



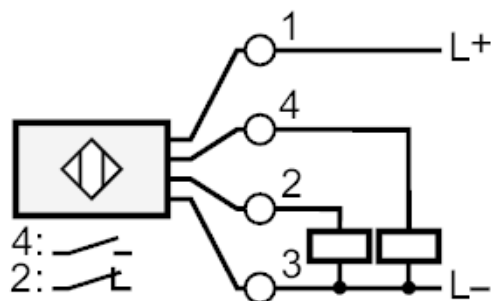
Inductive sensor

IVE4015-CPKG/3D

Electrical connection

terminals: ...2.5 mm²; Cable sheath: Ø 5.5...13 mm; Cable gland: M20 X 1.5

Connection



Article no longer available - archive entry

replaced by: IM510A