

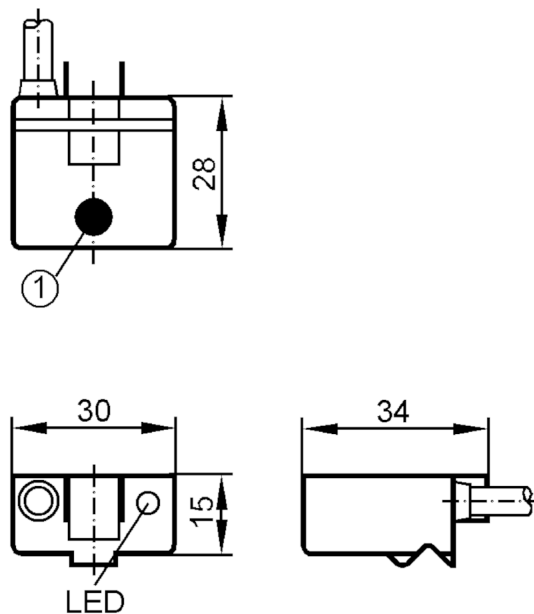
IQ5004



Cylinder sensor for tie-rod cylinder

IQ5004/ 6m

Article no longer available - archive entry



1 Sensing face

Product characteristics

Electrical design	PNP
Output function	normally open

Electrical data

Operating voltage [V]	10...30 DC
Current consumption [mA]	< 2
Reverse polarity protection	yes
Max. power-on delay time [ms]	5

Outputs

Electrical design	PNP
Output function	normally open
Max. voltage drop switching output DC [V]	2.3
Permanent current rating of switching output DC [mA]	200
Switching frequency DC [Hz]	1000
Short-circuit protection	yes
Type of short-circuit protection	pulsed
Overload protection	yes

Detection zone

Response sensitivity [mT]	2...35
Travel speed [m/s]	< 10

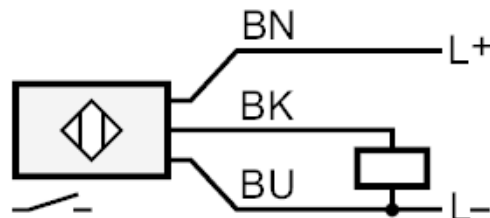
IQ5004



Cylinder sensor for tie-rod cylinder

IQ5004/ 6m

Accuracy / deviations		
Hysteresis	[mm]	1
Repeatability	[mm]	0.1
Operating conditions		
Ambient temperature	[°C]	-25...70
Protection		IP 67
Tests / approvals		
Shock/vibration resistance		30 g (11 ms) / 10-55 Hz (1 mm)
Mechanical data		
Cylinder type		pneumatic cylinders
Materials		plastics
Displays / operating elements		
Display	switching status	1 x LED, red
Remarks		
Pack quantity		1 pcs.
Electrical connection		
Cable: 6 m, PVC		
Connection		



Core colours :

BK = black
BN = brown
BU = blue

Article no longer available - archive entry