

# IF0237

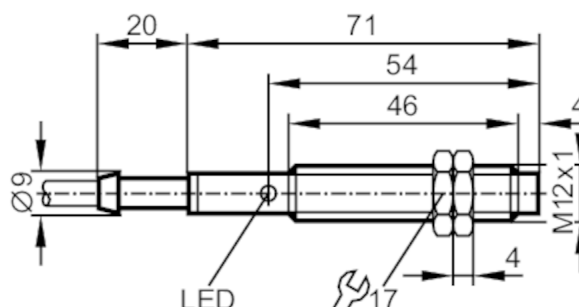


## Inductive sensor

IFA2004-BBOW/V4A

Article no longer available - archive entry

Alternative article: IF0261 When selecting an alternative article and accessories please note that technical data may differ! – When selecting an alternative article and accessories please note that technical data may differ!



### Product characteristics

Output function		normally closed
Sensing range	[mm]	4
Housing		threaded type
Dimensions	[mm]	M12 x 1 / L = 71

### Electrical data

Frequency AC	[Hz]	47...63
Operating voltage	[V]	20...140 AC
Protection class		II
Reverse polarity protection		no

### Outputs

Output function		normally closed
Max. voltage drop switching output AC	[V]	8.5
Minimum load current	[mA]	8
Max. leakage current	[mA]	1.5
Permanent current rating of switching output AC	[mA]	250
Short-time current rating of switching output	[mA]	900; (20 ms / 0,5 Hz)
Switching frequency AC	[Hz]	25
Short-circuit protection		no
Overload protection		no

### Detection zone

Sensing range	[mm]	4
Real sensing range Sr	[mm]	4 ± 10 %
Operating distance	[mm]	0...3.25

# IF0237

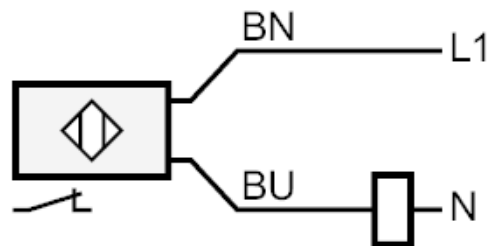


## Inductive sensor

IFA2004-BBOW/IV4A

Accuracy / deviations		
Correction factor	steel: 1 / stainless steel: 0.7 / brass: 0.4 / aluminium: 0.3 / copper: 0.2	
Hysteresis [% of Sr]	1...15	
Switch point drift [% of Sr]	-10...10	
Operating conditions		
Ambient temperature [°C]	-25...80	
Protection	IP 67	
Tests / approvals		
EMC	EN 60947-5-2	
	EN 55011	class B
Mechanical data		
Housing	threaded type	
Mounting	non-flush mountable	
Dimensions [mm]	M12 x 1 / L = 71	
Thread designation	M12 x 1	
Materials	stainless steel (1.4571/316Ti ); PBT	
Displays / operating elements		
Display	switching status	1 x LED, red
Accessories		
Accessories (supplied)	lock nuts: 2	
Remarks		
Pack quantity	1 pcs.	
Electrical connection		
Cable: 2 m, PVC; 2 x 0.5 mm <sup>2</sup>		

### Connection



Core colours :

BN = brown  
BU = blue

Article no longer available - archive entry

# IF0237

## Inductive sensor

IFA2004-BBOW/V4A



Alternative article: IF0261 When selecting an alternative article and accessories please note that technical data may differ! – When selecting an alternative article and accessories please note that technical data may differ!