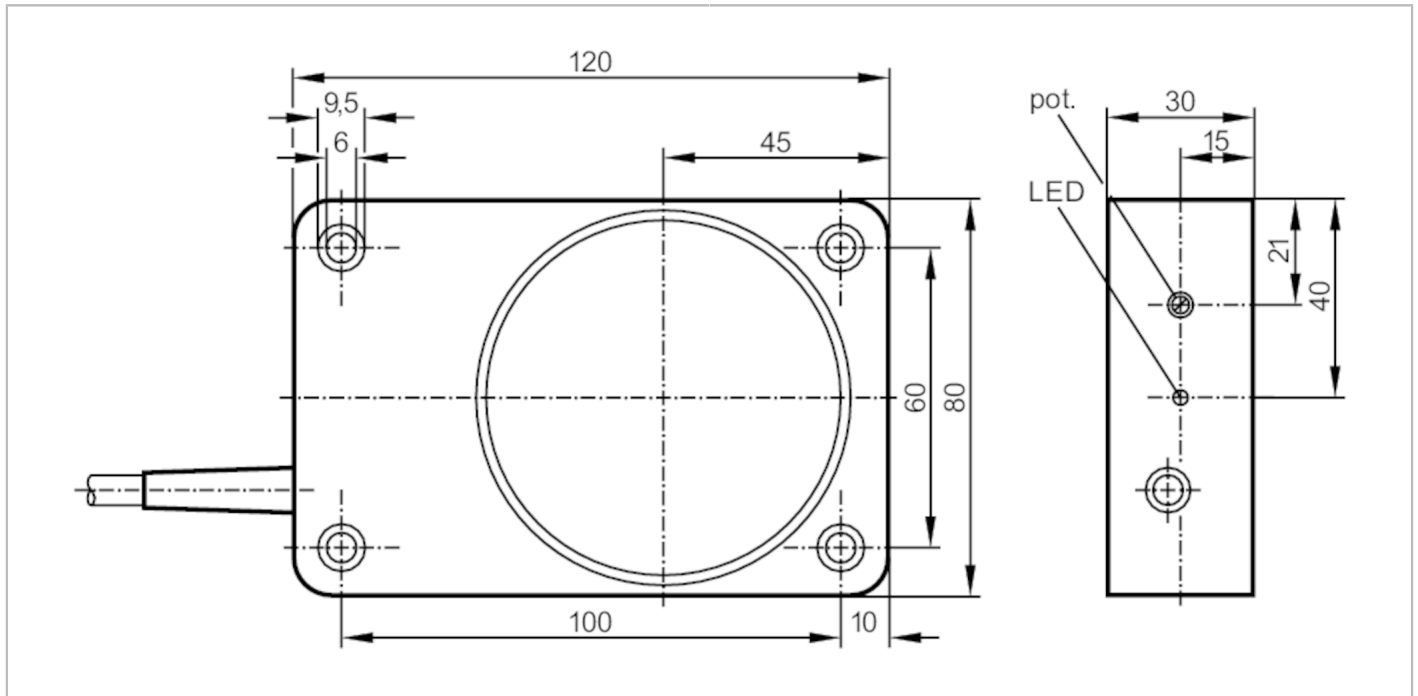


ID0016



Inductive sensor

ID-2050-ABOA/6M



Product characteristics

Output function		normally open
Sensing range	[mm]	50
Housing		rectangular
Dimensions	[mm]	120 x 80 x 30

Electrical data

Operating voltage	[V]	20...250 AC/DC
Protection class		II
Reverse polarity protection		no



Inductive sensor

ID-2050-ABOA/6M

Outputs		
Output function		normally open
Max. voltage drop switching output DC [V]		5
Max. voltage drop switching output AC [V]		5.5
Minimum load current [mA]		5
Max. leakage current [mA]		2.5 (250 V AC) / 1.3 (110 V AC) / 0.8 (24 V DC)
Permanent current rating of switching output AC [mA]		250; (350 (...50 °C))
Permanent current rating of switching output DC [mA]		100
Short-time current rating of switching output [mA]		2200; (20 ms / 0,5 Hz)
Switching frequency AC [Hz]		25
Switching frequency DC [Hz]		35
Short-circuit proof		no
Overload protection		no
Detection zone		
Sensing range [mm]		50
Sensing range adjustable		yes
Factory setting sensing range [mm]		50
Real sensing range Sr [mm]		50 ± 10 %
Operating distance [mm]		0...40.5
Accuracy / deviations		
Correction factor		steel: 1 / stainless steel: 0.7 / brass: 0.4 / aluminium: 0.3 / copper: 0.2
Hysteresis [% of Sr]		1...15
Switch point drift [% of Sr]		-10...10
Operating conditions		
Ambient temperature [°C]		-25...80
Protection		IP 65
Tests / approvals		
EMC		EN 60947-5-2
		EN 55011
MTTF [years]		512
		class B
Mechanical data		
Weight [g]		733
Housing		rectangular
Mounting		non-flush mountable
Dimensions [mm]		120 x 80 x 30
Materials		PPE modified
Displays / operating elements		
Display	switching status	1 x LED, yellow
Electrical connection		
Required protection	miniature fuse to IEC60127-2 sheet 1; ≤ 2 A; fast acting	

ID0016



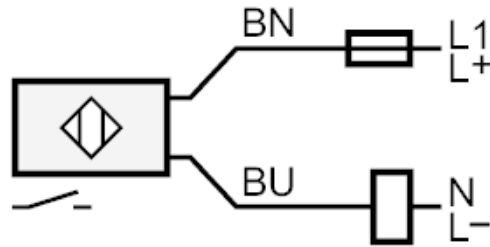
Inductive sensor

ID-2050-ABOA/6M

Accessories	
Accessories (supplied)	screwdriver: 1
Remarks	
Remarks	Recommendation: Check the safe functioning of the unit after a short circuit.
Pack quantity	1 pcs.

Electrical connection	
Cable: 6 m, PVC; 2 x 0.5 mm ²	

Connection



Note miniature fuse to IEC60127-2 sheet 1 \leq 2 A fast acting

Core colours :

BN = brown
BU = blue