

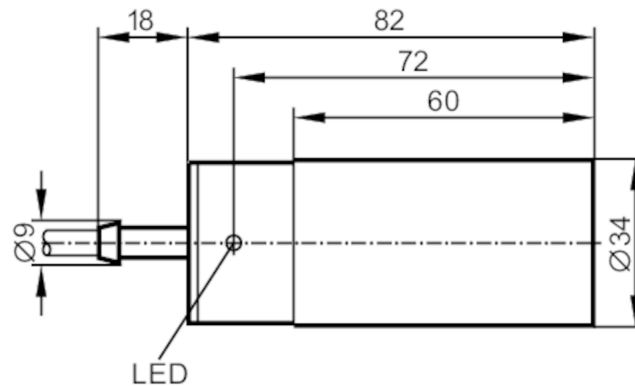
IB5079



Inductive sensor

IB-3020-BNKG/20m

Article no longer available - archive entry



Product characteristics

Electrical design		NPN
Output function		normally closed
Sensing range	[mm]	20
Housing		cylindrical
Dimensions	[mm]	Ø 34 / L = 82

Electrical data

Operating voltage	[V]	10...36 DC
Current consumption	[mA]	15; (24 V)
Protection class		II
Reverse polarity protection		yes

Outputs

Electrical design		NPN
Output function		normally closed
Max. voltage drop switching output DC	[V]	2.5
Permanent current rating of switching output DC	[mA]	250
Switching frequency DC	[Hz]	60
Short-circuit protection		yes
Type of short-circuit protection		pulsed
Overload protection		yes

Detection zone

Sensing range	[mm]	20
Real sensing range Sr	[mm]	20 ± 10 %
Operating distance	[mm]	0...16.2

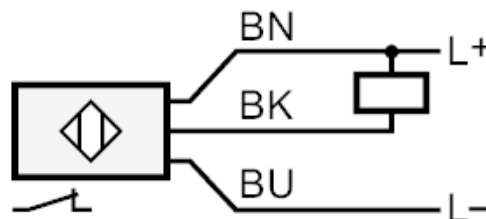
IB5079



Inductive sensor

IB-3020-BNKG/20m

Accuracy / deviations		
Correction factor	steel: 1 / stainless steel: 0.7 / brass: 0.4 / aluminium: 0.3 / copper: 0.2	
Hysteresis [% of Sr]	1...15	
Switch point drift [% of Sr]	-10...10	
Operating conditions		
Ambient temperature [°C]	-25...80	
Protection	IP 67	
Tests / approvals		
EMC	EN 60947-5-2	
	EN 55011	class B
MTTF [years]	1013	
Mechanical data		
Housing	cylindrical	
Mounting	non-flush mountable	
Dimensions [mm]	Ø 34 / L = 82	
Materials	PBT	
Displays / operating elements		
Display	switching status	1 x LED, yellow
Accessories		
Accessories (supplied)	Mounting clamps: 1	
Remarks		
Pack quantity	1 pcs.	
Electrical connection		
Cable: 20 m, PVC; 3 x 0.5 mm ²		
Connection		



Core colours :

- BN = brown
- BU = blue
- BK = black

IB5079

Inductive sensor

IB-3020-BNKG/20m



Article no longer available - archive entry
