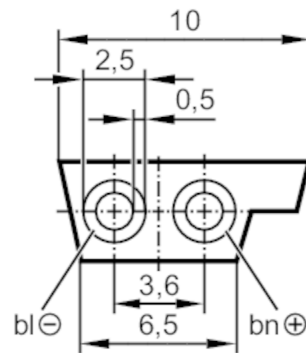


E74210



AS-Interface flat cable

Flat cable 100 meter TPE bk



Application	
Design	for use of insulation displacement technology
Electrical data	
Operating voltage [V]	26.5...31.6 DC; (Peak voltage 300 V)
Outputs	
Electrical design	AS-i
Operating conditions	
Ambient temperature [°C]	-40...105
Protection	IP 67
Mechanical data	
Weight [g]	6752
Remarks	
Remarks	100 m form supplied: coiled
Pack quantity	100 m
Electrical connection	
Cable: 100 m, TPE, black; 2 x 1.5 mm ²	