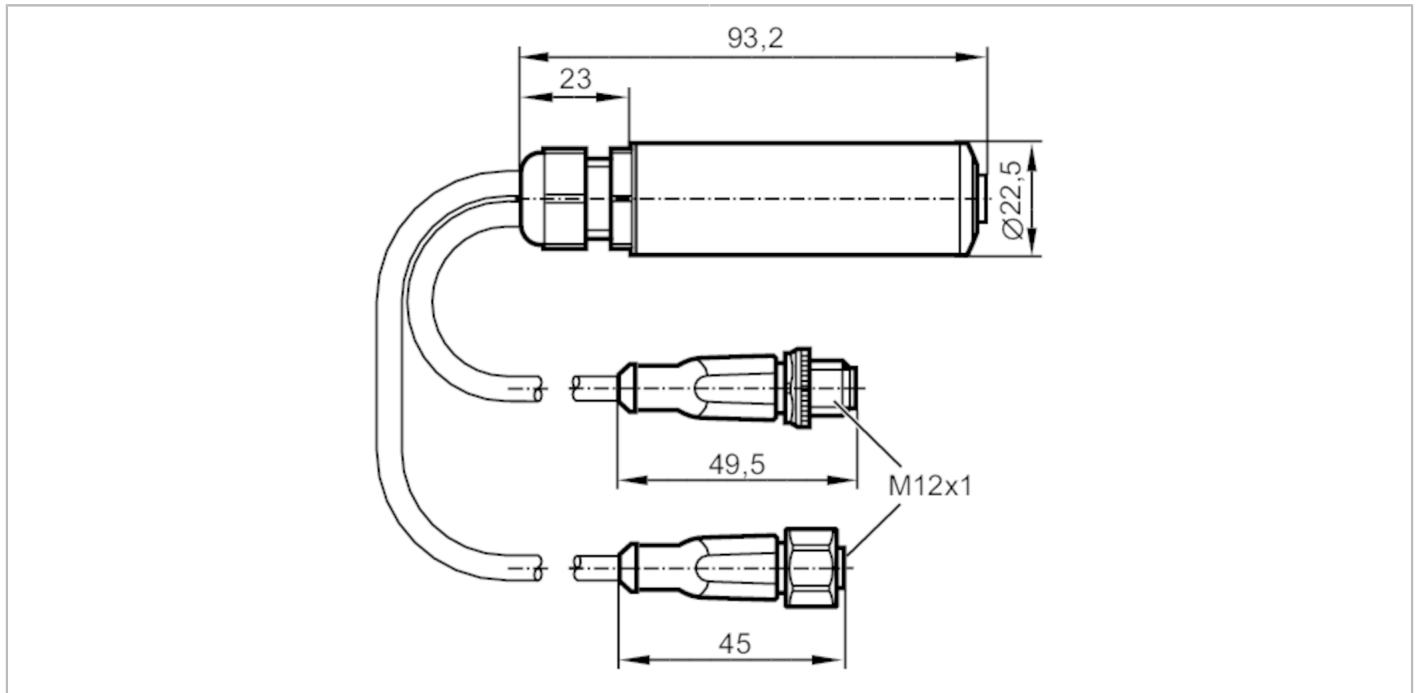


E30425



Teach button for pressure sensors

TEACH BUTTON



Application	
Design	for sensors PM1xxx
Electrical data	
Operating voltage [V]	20...30 DC
Outputs	
Max. load [Ω]	$(U_b - 14 V) / 21.5 \text{ mA}$
Operating conditions	
Ambient temperature [$^{\circ}\text{C}$]	-25...60
Protection	IP 65
Tests / approvals	
MTTF [years]	2927
Mechanical data	
Weight [g]	227
Materials	stainless steel (1.4404 / 316L); PA; FFKM; PBT
Remarks	
Remarks	If a teach button is connected, no IO-Link communication is possible.
Pack quantity	1 pcs.



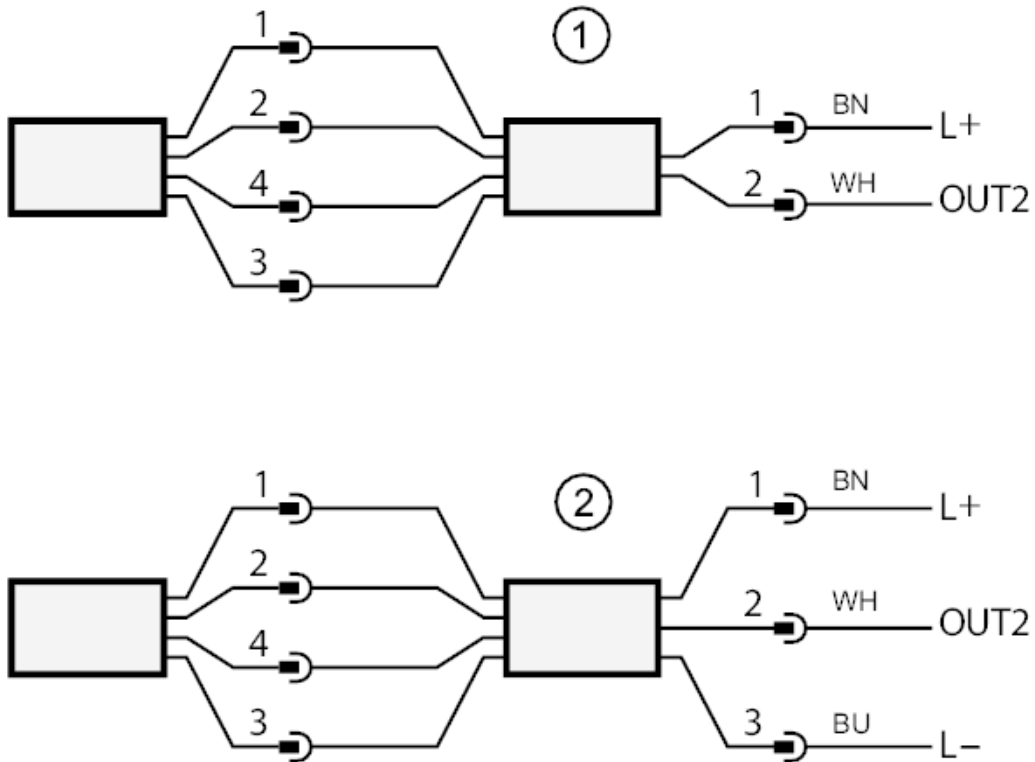
Teach button for pressure sensors

TEACH BUTTON

Electrical connection

Cable: 0.9 m, PUR; Maximum cable length: 30 m; zwischen Sensor und Teach-Taster

Connection



1 2-wire operation

2 3-wire operation

OUT2 4...20 mA

colours to DIN EN 60947-5-2