

# E17323

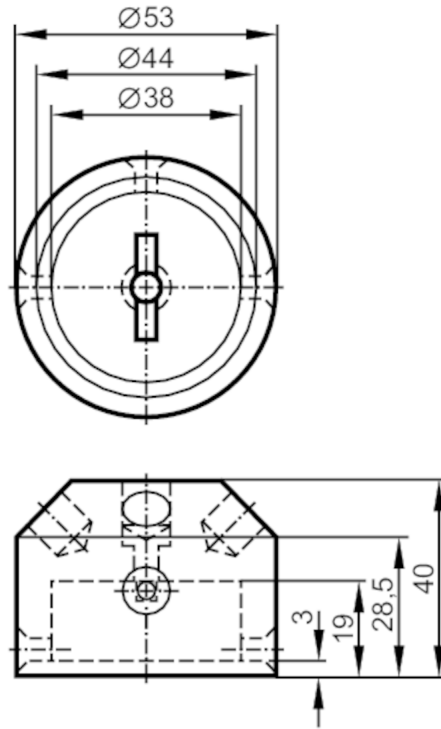


## Target pucks for valve actuators

PUCK/IND/RD/53/8

discontinued article

Alternative article: E12517+ E12526 When selecting an alternative article and accessories please note that technical data may differ!; discontinued article – When selecting an alternative article and accessories please note that technical data may differ! – Discontinuation date: 31.03.2018



Application	
Design	for mechanical interfaces to pneumatic actuators or manually-operated valves VDI / VDE 3845, ISO 5211 / DIN 3337
Mechanical data	
Weight [g]	44.2
Target puck diameter [mm]	53
Hole spacing [mm]	80
Shaft height of valve drive [mm]	20
Housing colour	red
Number of possible switching flag positions	8
Materials	target puck: PA 6; screws: stainless steel (1.4302)
Accessories	
Accessories (supplied)	socket head screw: 1 x M 6 x 16, with washer
	countersunk screws: 2 x M 5
	direction indications: 2, white
	direction indications: 2, red
	Cover: 1, white
	cover plug: 4, red

# E17323



## Target pucks for valve actuators

PUCK/IIND/RD/53/8

Remarks	
Notes	discontinued article
Pack quantity	1 pcs.

discontinued article

Alternative article: E12517+ E12526 When selecting an alternative article and accessories please note that technical data may differ!; discontinued article – When selecting an alternative article and accessories please note that technical data may differ! – Discontinuation date: 31.03.2018