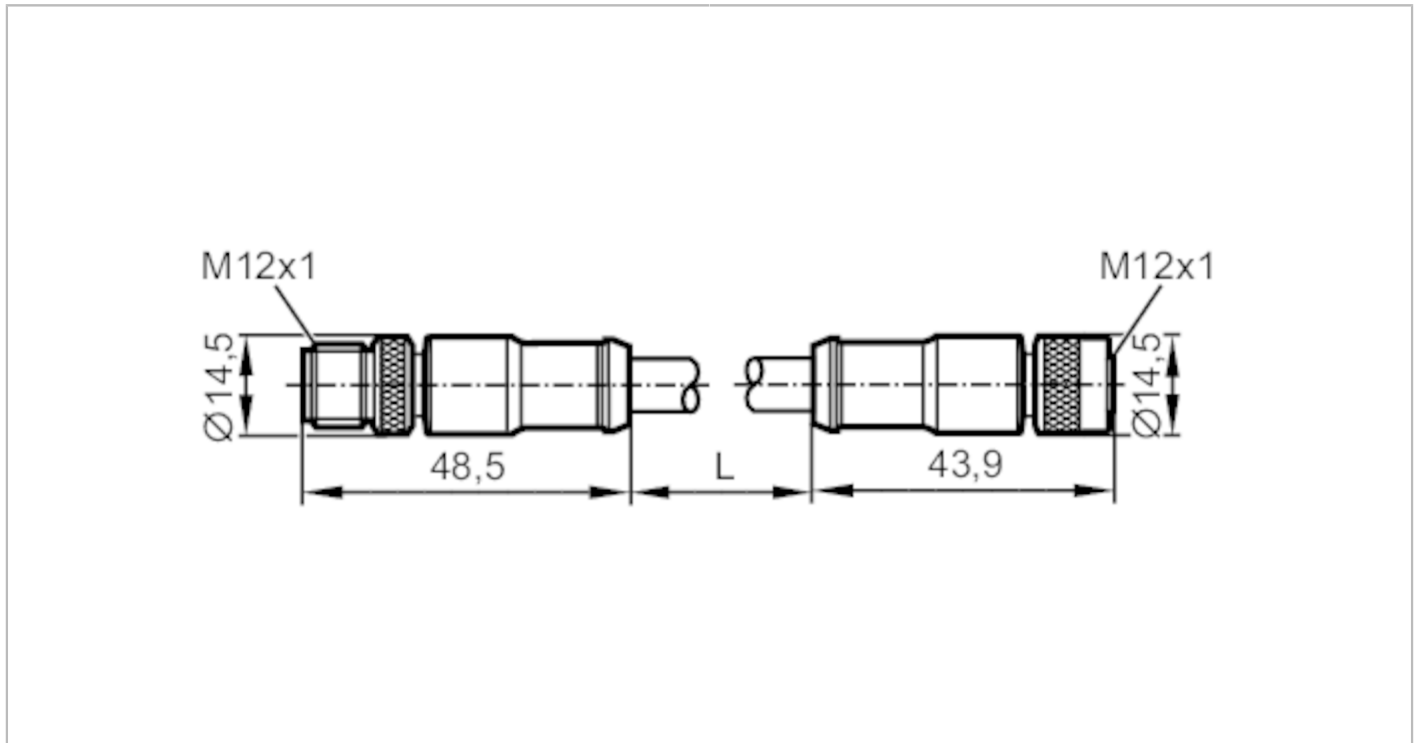


E12316



Connection cable

VDOGH050MSS0002C02STG020MSS



Application	
Special feature	Halogen-free; Gold-plated contacts; Screened cable
Design	B-coded
Electrical data	
Operating voltage [V]	< 30 AC / < 36 DC
Max. current load total [A]	4; (...40 °C)
Operating conditions	
Ambient temperature [°C]	-25...85
Protection	IP 67
Mechanical data	
Weight [g]	160.6
Dimensions [mm]	14.5 x 14.5 x 48.5
Materials	PUR
Material nut	brass, nickel-plated / brass, nickel-plated
Remarks	
Pack quantity	1 pcs.

Electrical connection - plug
Connector: 1 x M12, straight; Moulded body: PUR; Locking: brass, nickel-plated; Contacts: gold-plated; Tightening torque: 0.6 Nm;
Shielded connection cable: screen connected

E12316



Connection cable

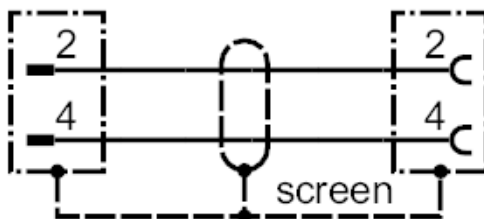
VDOGH050MSS0002C02STG020MSS



Electrical connection

Cable: 2 m, PUR, Halogen-free, lilac, Ø 8 mm, shielded; 2 x 0.25 mm²

Connection



Core colours :

GN = green
RD = red

Electrical connection - socket

Connector: 1 x M12, straight; Moulded body: PUR; Locking: brass, nickel-plated; Contacts: gold-plated; Tightening torque: 0.6 Nm; Shielded connection cable: screen connected

