

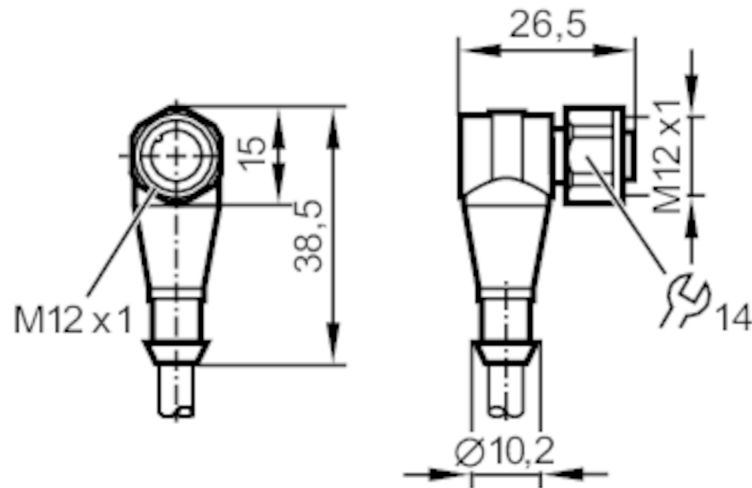
E12228



Connecting cable with socket

ADOAH040VAS0010G04

Article no longer available - archive entry



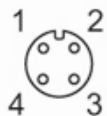
Application	
Special feature	Free from silicone; Gold-plated contacts; Screened cable
Free from silicone	yes
Electrical data	
Operating voltage [V]	< 50 AC / < 60 DC
Protection class	III
Max. current load total [A]	4
Operating conditions	
Ambient temperature [°C]	-25...100
Protection	IP 67
Mechanical data	
Weight [g]	506.4
Dimensions [mm]	26.5 x 15 x 38.5
Materials	PVC
Moulded-body material	PVC
Material nut	stainless steel (1.4404 / 316L)
Remarks	
Pack quantity	1 pcs.
Electrical connection	
Cable: 10 m, PVC, orange, Ø 5.3 mm, shielded; 4 x 0.34 mm ² (42 x Ø 0.1 mm)	
Electrical connection - socket	
Connector: 1 x M12, angled; Moulded body: PVC; Locking: stainless steel (1.4404 / 316L); Contacts: gold-plated; Tightening torque: 0.7...0.9 Nm; Shielded connection cable: screen not connected	

E12228

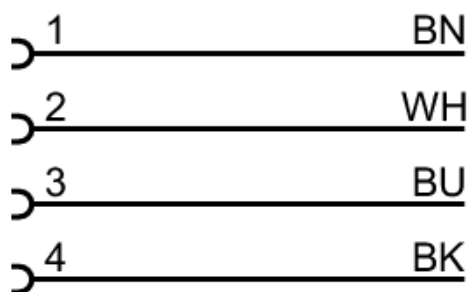


Connecting cable with socket

ADOAH040VAS0010G04



Connection



Core colours :

BK =	black
BN =	brown
BU =	blue
WH =	white